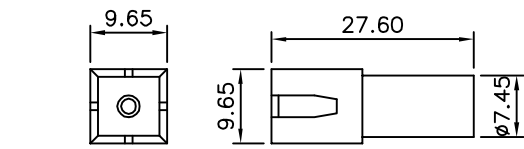
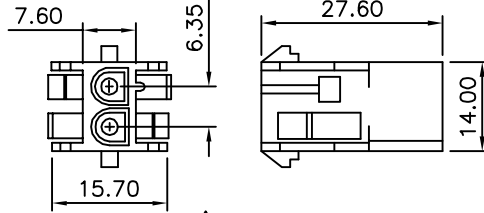


**SPECIFICATION**

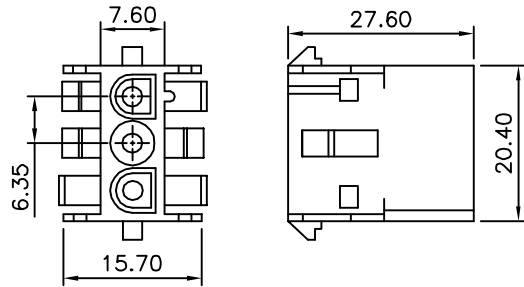
Current Rating:12A AC/DC  
 Voltage Rating:300V AC/DC  
 Withstanding Voltage:1500V AC/Minute  
 Insulation Resistance:1000 Megaohms Min.  
 Temperature Range:-25°C~+90°C  
 Material:PA66(UL94V-2)  
 RoHS Compliant



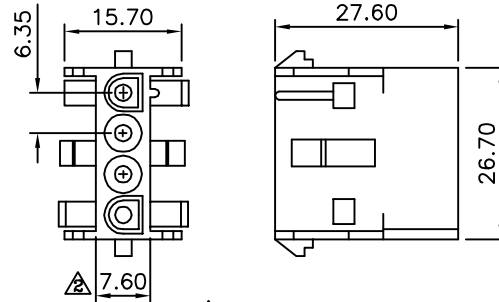
△1X01



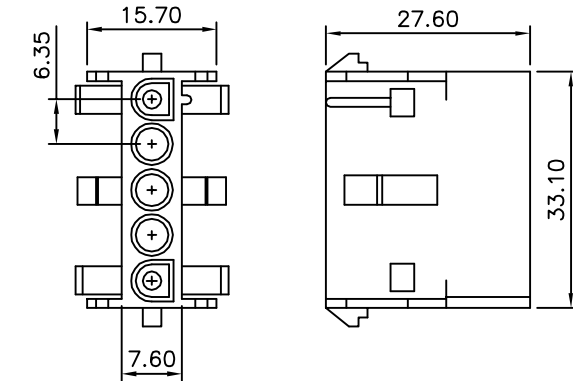
△1X02



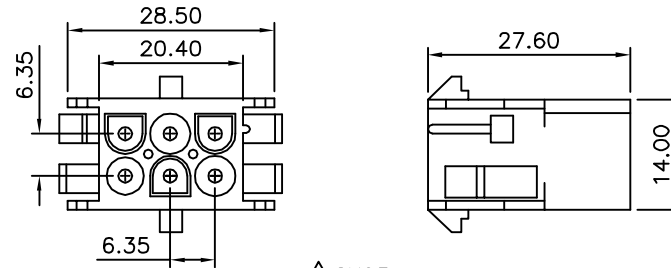
△1X03



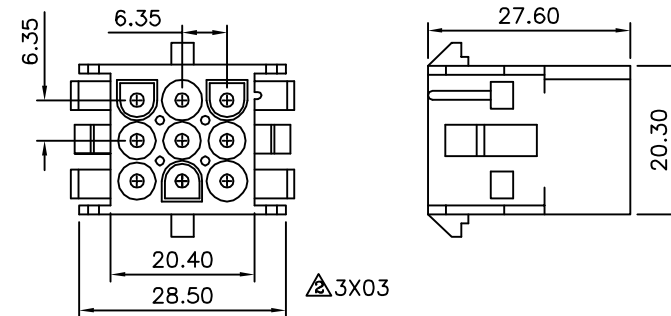
△1X04



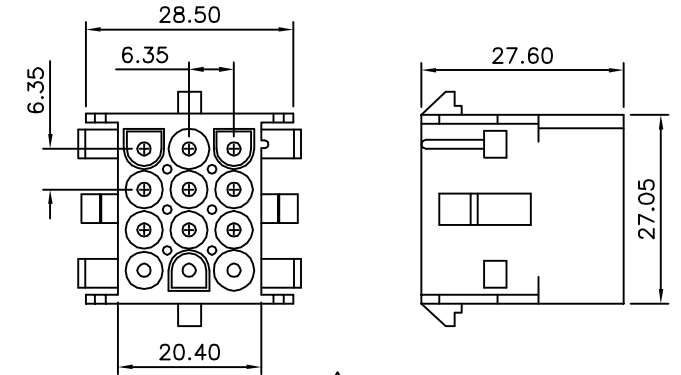
△1X05



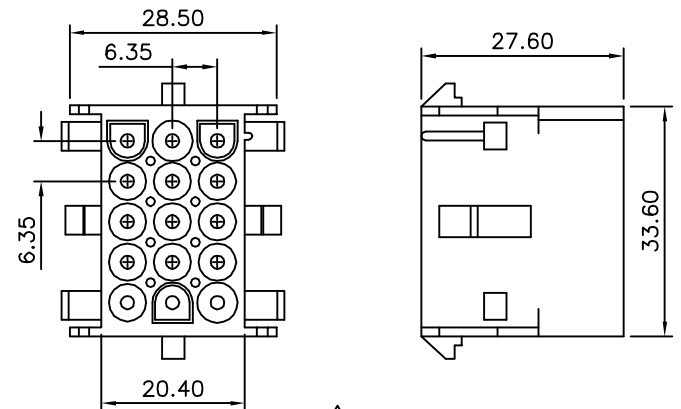
△2X03



△3X03



△3X04



△3X05

**4UCON** 元化興業股份有限公司  
 4UCON TECHNOLOGY INC.

DRAWING No.

07046

APPROVED BY

MEI

CHECKED BY

HZF

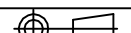
DRAWING BY

SONG

REV. A2

UNLESS OTHERWISE SPECIFIED TOLERANCES ARE  
 .X ±0.3  
 .XX ±0.3  
 ANG.

UNIT mm



NO.	REV.	REVISIONS	CHK	DATE
△A2		Modify Data	HZF	11/09/2012
△A1		Modify Data	HZF	06/20/2011
△A0		NEW RELEASE		

SCALE

NONE

REV.

A2

UNIT mm

NO. REV. REVISIONS CHK DATE