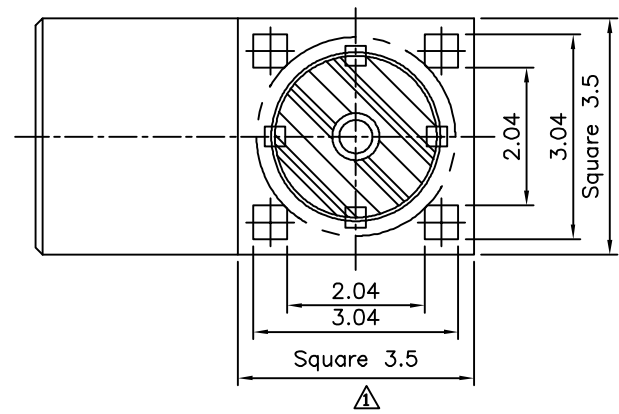


Recommended P.C.B. Layout

△SPECIFICATION

Impedance: 50 Ohms
 Frequency Range: DC ~6 GHz
 Working Voltage: 170V AC
 Insulation Resistance: 1000 Megaohms Min.
 At 500V DC
 Withstanding Voltage: 500V AC For 1 Minute
 Contact Resistance: Center Contact: 5.0 Milliohms
 At 10mA DC
 Outer Contact: 2.5 Milliohms
 At 10mA DC
 V.S.W.R: 1.5 Max.
 Temperature Range: -40°C ~ +85°C
 RoHS Compliant



No.	Description	Material	Q'ty	Remark
4	Insulator	Teflon	1	
3	Center Pin	Beryllium Copper	1	Gold Plated Over Nickel
2	Insulator	Teflon	1	
1	Body	Brass	1	Gold Plated Over Nickel

4UCON 元化興業股份有限公司
 4UCON TECHNOLOGY INC.

DRAWING No.		APPROVED BY		UNLESS OTHERWISE SPECIFIED TOLERANCES ARE X. ±0.1 .X ±0.1 .XX ±0.1
07249		EMILY		
		CHECKED BY		
		HZF		
		DRAWING BY		
		HTP		
SCALE	NONE	REV.	A1	UNIT
				mm

NO.	REV.	REVISIONS	CHK	DATE
△A1		Modify Data	HZF	12/14/2021
△A0		NEW RELEASE	HZF	09/21/2011