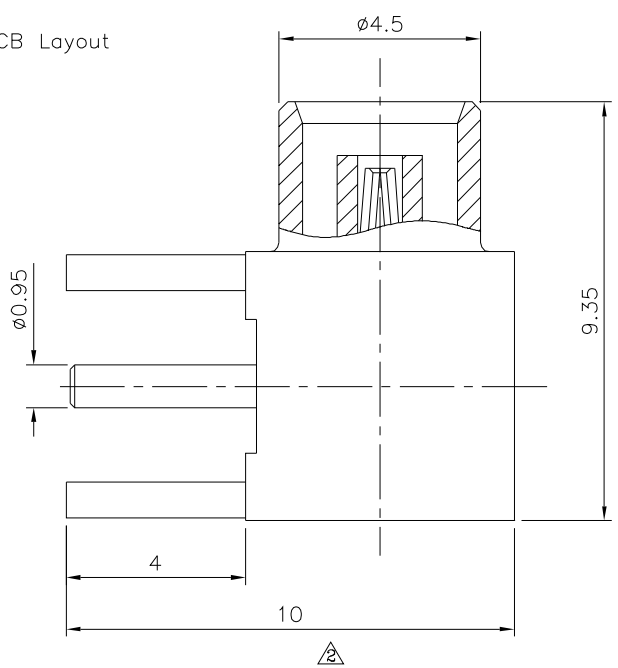
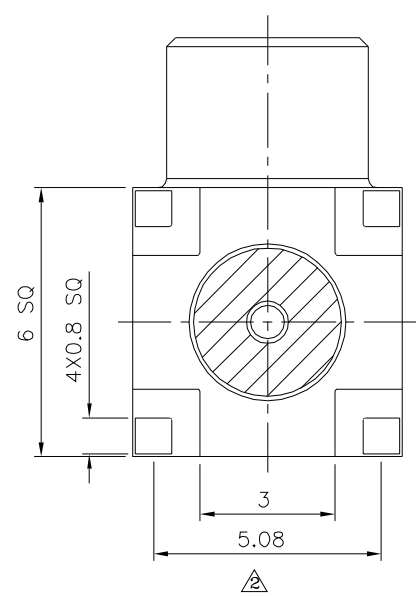


Recommended PCB Layout



SPECIFICATION

Impedance: 50 Ohms
 Frequency Range: 0-6 GHz DC
 Working Voltage: 335V AC
 Withstanding Voltage: 500V AC/Minute
 Insulation Resistance: 1000 Megaohms Min.
 Contact Resistance: Center Contact: 5.0 Milliohms Max.
 Outer Contact: 2.5 Milliohms Max.
 V.S.W.R.: 1.3 Max.
 Temperature Range: -65°C To +165°C
 RoHS Compliant

No.	Description	Material	Q'ty	Finish
06	Press Washer	Brass	1	Gold Flash Over Nickel
05	Insulator	Teflon	1	
04	Body	Brass	1	Gold Flash Over Nickel
03	Insulator	Teflon	1	
02	Press Washer	Brass	1	Gold Flash Over Nickel
01	Center Pin	Beryllium Copper	1	Gold Flash Over Nickel

4UCON 元化興業股份有限公司
 4UCON TECHNOLOGY INC.

DRAWING No.		APPROVED BY		UNLESS OTHERWISE SPECIFIED TOLERANCES ARE X. ±0.4 .X ±0.4 .XX ±0.4
07252		MEI		
		CHECKED BY		
		HZF		
		DRAWING BY		
		CYP		
SCALE	NONE	REV.	A2	UNIT
				mm

NO.	REV.	REVISIONS	CHK	DATE
A2		Modify Data	HZF	03/19/2024
A1		Modify Data	HZF	12/12/2017
A0		NEW RELEASE	HZF	04/21/2009