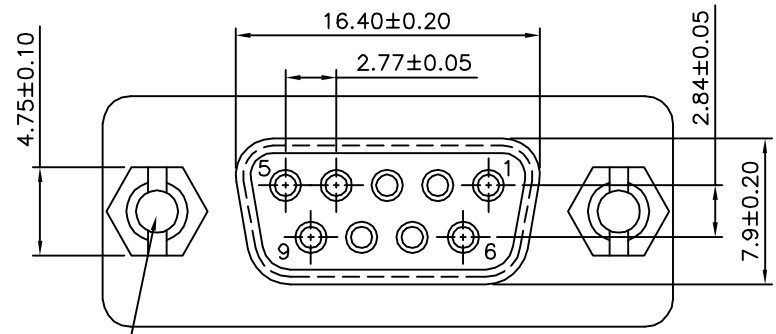
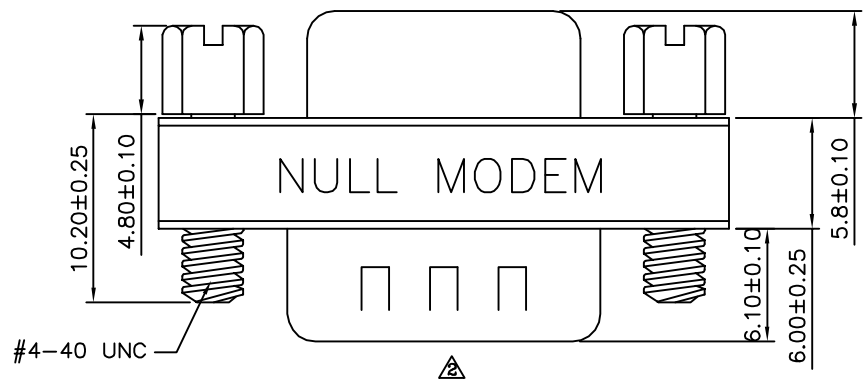


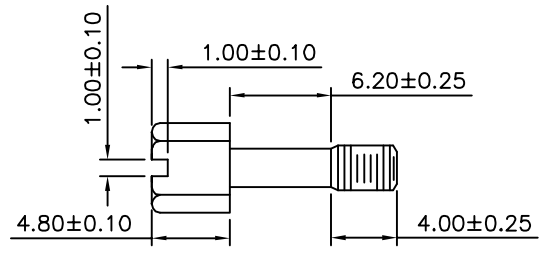
△ SPECIFICATION
 Insulator:PBT+G.F.(UL94V-0),Black
 Contact:Brass,Gold Plated Over Nickel
 Shell:Steel,Tin Plated
 Label:Orange Color With White Charactor
 One Side:NULL MODEM
 The Other Side:MINI ADAPTER
 RoHS Compliant



#4-40X3.3 UNC
 Thread

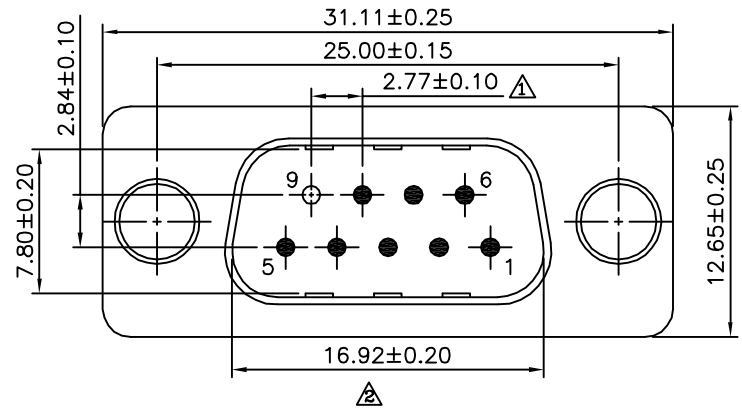


#4-40 UNC



UNC #4-40 Hexscrew

Pin Out:09 Male	09 Female
2	3
3	2
4	1
	6
5	5
1	4
6	
7	8
8	7
G	G



4U CON 元化興業股份有限公司
 4U CON TECHNOLOGY INC.

DRAWING No.		APPROVED BY		UNLESS OTHERWISE SPECIFIED TOLERANCES ARE .X ±0.20 .XX ±0.15 .XXX ±0.05
07588		EMILY		
		CHECKED BY		
		HZF		
		DRAWING BY		
		SONG		
SCALE	NONE	REV.	A2	UNIT mm

NO.	REV.	REVISIONS	CHK	DATE
△ A2		Modify Data	HZF	09/02/2014
△ A1		Add Dim.	BECKY	04/28/2005
△ A0		NEW RELEASE	BECKY	03/05/2004