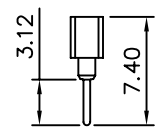
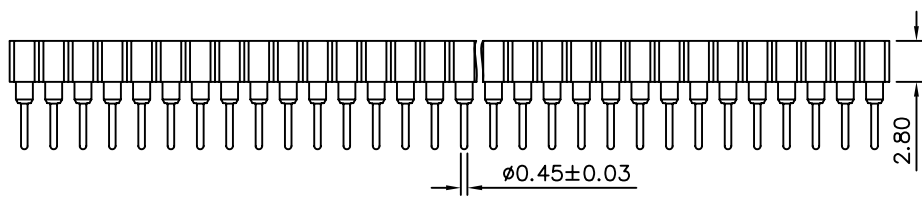
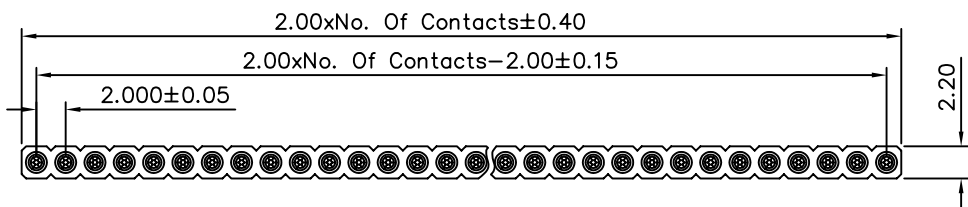
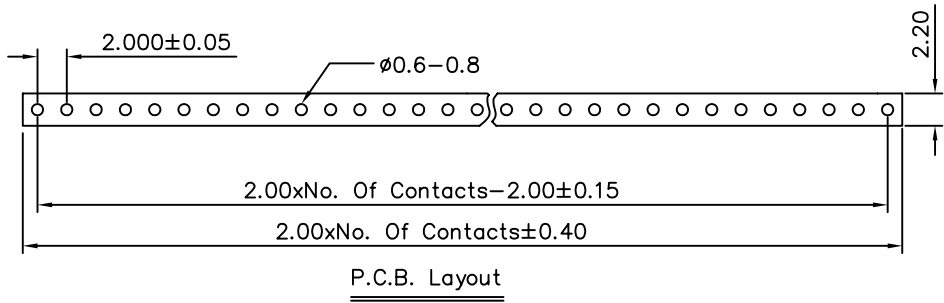


SPECIFICATIONS

Current Rating: 3 Amp/Contact Max.
 Contact Resistance: 4 Milliohms Max./Contact
 Insulation Resistance: 1000 Megohms Min. At 100V
 Operating Voltage: 60V AC/DC
 Average Insertion Force With Steel Pin Of $\phi 0.43\text{mm}$: <50g
 Average Withdrawal Force With Steel Pin Of $\phi 0.43\text{mm}$: >15g
 Mechanical Life Cycle: 200 Min.
 Operating Temperature: -40°C To $+105^{\circ}\text{C}$
 Soldering Temperature: $+260^{\circ}\text{C}$, 10s Max.
 Pin(Outer Sleeve): Brass, Machined CuZn38Pb2
 Clip(Contact 6 Finger): Beryllium Copper, Heat Treated
 Plating(Outer Sleeve): Tin Plated: $2\mu\text{m}/80\text{u}''$ Ni, $5\mu\text{m}/200\text{u}''$ Sn
 Plating(Contact): $2\mu\text{m}/80\text{u}''$ Ni, Gold Plated
 Insulator: Glass Filled Thermoplastic Polyester, UL 94V-0, Black



4UCON 元化興業股份有限公司
 4UCON TECHNOLOGY INC.

| | | | | | | | | | |
|-------------|------|-------------|----|---|----|----------|-------------|-------|------------|
| DRAWING No. | | APPROVED BY | | UNLESS OTHERWISE SPECIFIED TOLERANCES ARE X. ±0.35 .X ±0.20 .XX ±0.15 .XXX ±0.05 ANG ±5° | | | | | |
| 07688 | | MEI | | | | | | | |
| | | CHECKED BY | | | | | | | |
| | | BECKY | | | | | | | |
| | | DRAWING BY | | | | | | | |
| | | HZF | | | | | | | |
| SCALE | NONE | REV. | A0 | UNIT | mm | NO. REV. | REVISIONS | CHK | DATE |
| | | | | | | A0 | NEW RELEASE | BECKY | 11/04/2005 |