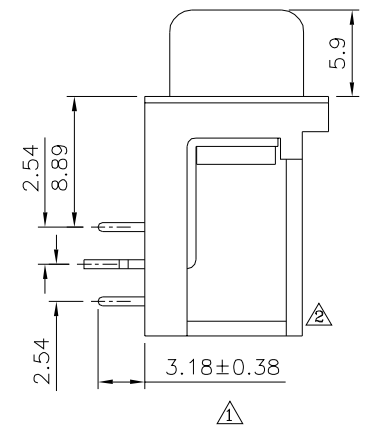
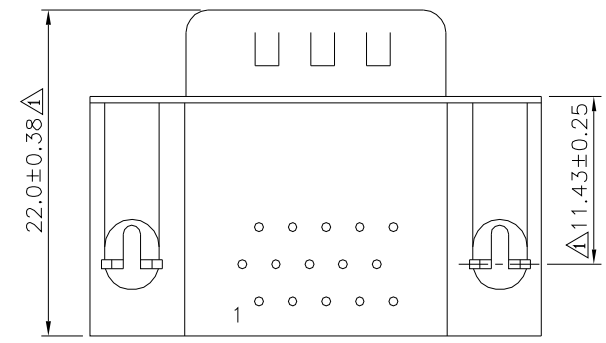
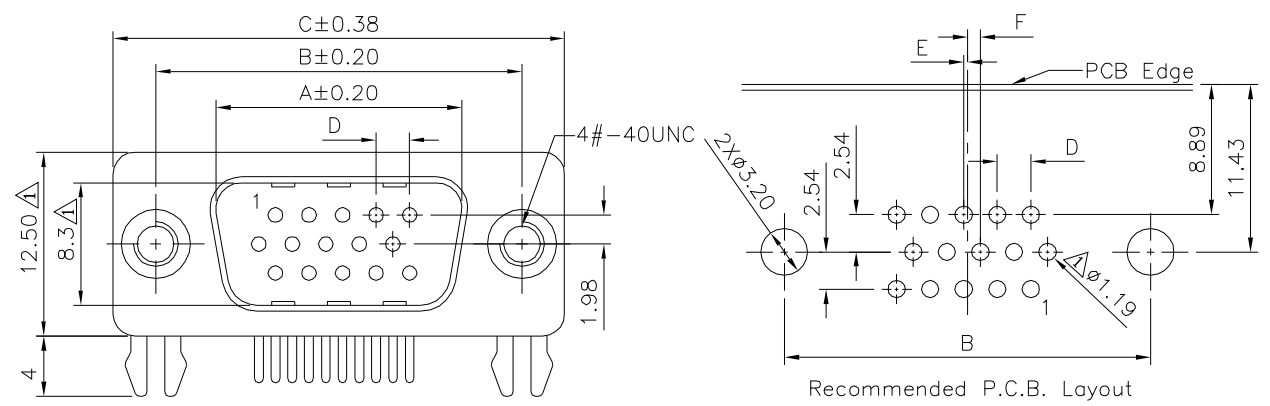


△ SPECIFICATION

Current Rating: 2 Amp
 Withstanding Voltage: 1000V AC For 1 Minute
 Contact Resistance: 15 Milliohms Max.
 Insulation Resistance: 1000 Megaohms Min.
 At 500V DC
 Operation Temperature: -55°C~+105°C
 △ Insulator: PBT(UL94V-0), Black
 △ Contact: Brass, Gold Flash Over All Over Nickel
 Shell: Steel, Nickel Plated
 Boardlock: Steel, Tin Plated
 Riveted Insert: Brass, Nickel Plated
 RoHS Compliant



Pin	A	B	C	D	E	F
15	16.90	25.00	30.80	2.29	0.25	0.89
26	25.25	33.30	39.20	2.29	0.51	0.64
44	38.95	47.05	53.05	2.29	0.51	0.64
62	55.40	63.50	69.40	2.41	0.58	0.62

4UCON 元化興業股份有限公司
 4UCON TECHNOLOGY INC.

DRAWING No. 07826		APPROVED BY MEI		UNLESS OTHERWISE SPECIFIED TOLERANCES ARE	
		CHECKED BY HZF		.X ±0.25	
		DRAWING BY GAO		.XX ±0.15	
SCALE NONE		REV. A2		.XXX ±0.05	
				ANG. ±1°	
				UNIT mm	

NO.	REV.	REVISIONS	CHK	DATE
△ A2		Modify Data	HZF	08/19/2013
△ A1		Modify Data	HZF	03/30/2010
△ A0		NEW RELEASE	SHIN	12/07/2006