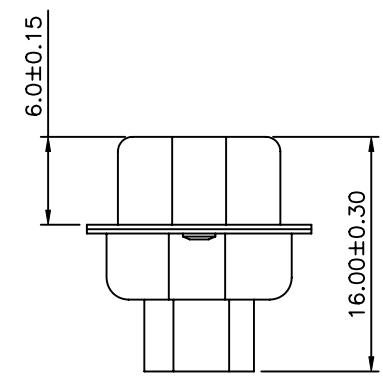
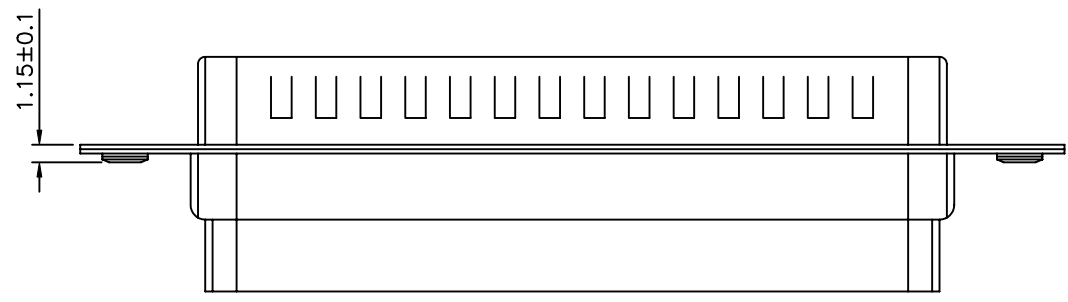
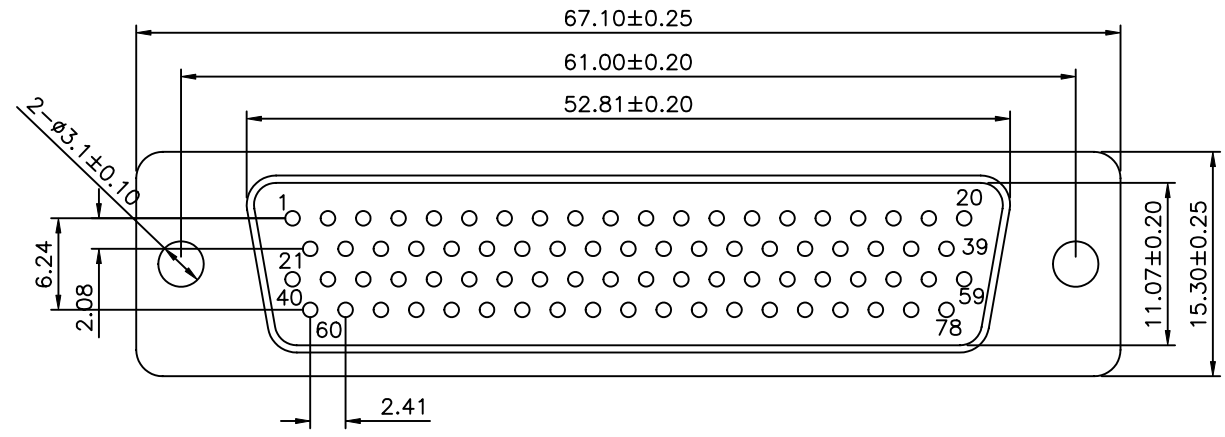


**SPECIFICATION**  
 Current Rating:1A Max  
 Dielectric Withstanding Voltage:500V(AC) For 1Minute  
 Contact Resistance:30Milliohms Max  
 Insulation Resistance:1000Megohms Min At DC 500V  
 Total Mating Force:8.0Kgf Max  
 Total Unmating Force:1.5Kgf Min  
 Temperature Range:-55°C~+105°C  
 RoHS Compliant



4	Back-Shell	1	T=0.40mm	Cold Rolled Steel	Tin Plated
3	Front-Shell	1	T=0.40mm	Cold Rolled Steel	Nickel Plated
2	Contact	78	T=0.20mm	Copper Alloy	Gold Flashed
1	Housing	2	UL94V-0	P.B.T	Black
No.	Name	Q'ty	Remarks&Thickness	Material	Finish

**4UCON** 元化興業股份有限公司  
 4UCON TECHNOLOGY INC.

DRAWING No.		APPROVED BY		UNLESS OTHERWISE SPECIFIED TOLERANCES ARE .X ±0.3 .XX ±0.20 .XXX ±0.100 ANG. ±1°
07871		MEI		
		HZZ		
		DRAWING BY		
		HYY		
SCALE	NONE	REV.	A0	UNIT mm

NO.	REV.	REVISIONS	CHK	DATE
△ A0		NEW RELEASE	HZZ	05/05/2008