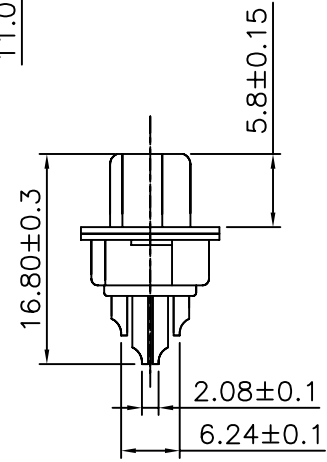
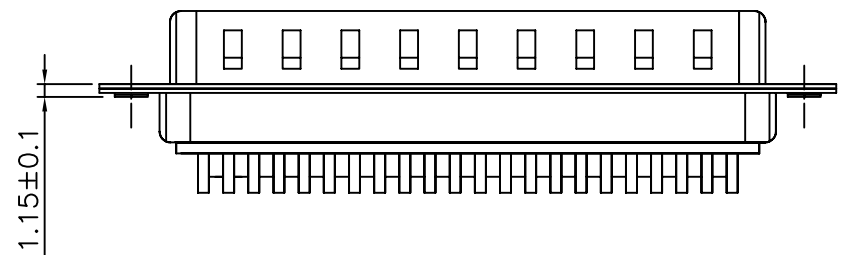


SPECIFICATIONS

Current Rating: 1A Max.
 Dielectric Withstanding Voltage: 500V AC For 1 Minute
 Contact Resistance: 30 Milliohms Max.
 Insulation Resistance: 1000 Megohms Min. At DC 500V
 Total Mating Force: 9.0 Kgf Max.
 Total Unmating Force: 5.0 Kgf Min.
 Temperature Range: -55°C ~ +105°C
 Insulator: P.B.T UL 94V-0 Rated
 Contact: Copper Alloy, t=0.20mm
 Gold Flash 1u", 3u", 5u", 10u", 15u", 30u"
 Shell: Cold Rolled Steel, t=0.40mm
 Nickel, Tin Or Gold Plated



6	8.0 Nut	2	Copper Alloy	H4.75*8.0	Nickel Plated
5	3B Nut	2	Copper Alloy	H4.75*4.75	Nickel Plated
4	Back-Shell	1	Cold Rolled Steel	T=0.40mm	Tin Plated
3	Front-Shell	1	Cold Rolled Steel	T=0.40mm	Nickel Plated
2	Contact	78	Copper Alloy	T=0.20mm	Gold Plated
1	Housing	2	P.B.T	UL 94V-0	Black/Blue/White
No.	Part Name	Q'ty	Material	Remarks & Thickness	Finish

4UCON 元化興業股份有限公司
 4UCON TECHNOLOGY INC.

CATEGORY		APPROVED BY		UNLESS OTHERWISE SPECIFIED					
D-Sub		MEI		TOLERANCES ARE					
08373		CHECKED BY		.X ±0.3					
		BECKY		.XX ±0.20					
		DRAWING BY		ANG. ±1°					
		TCF		UNIT					
SCALE		REV.		A0		NO. REV.		DATE	
NONE		A0		A0		NEW RELEASE		2004/10/11	
						REVISIONS		CHK	
								DATE	