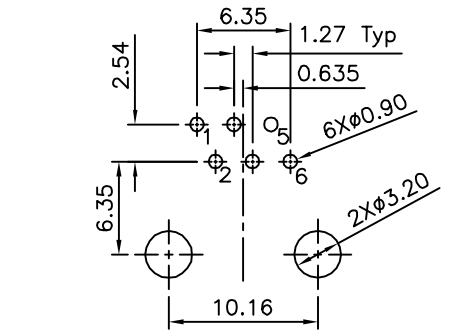
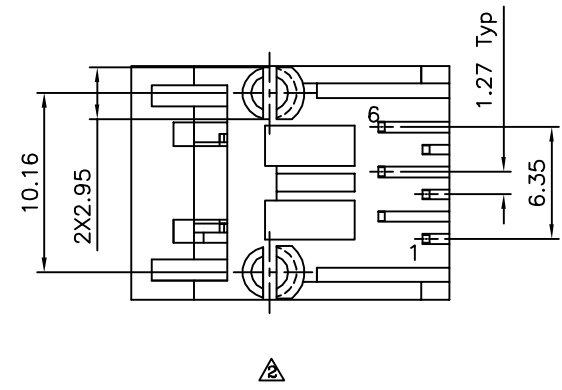
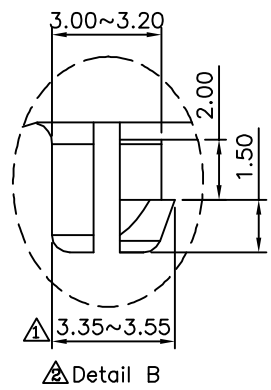
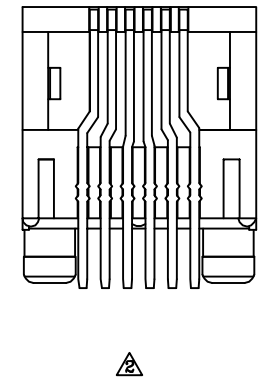
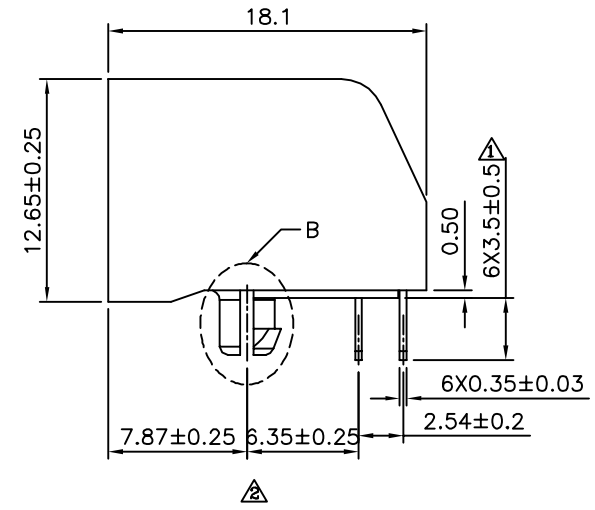
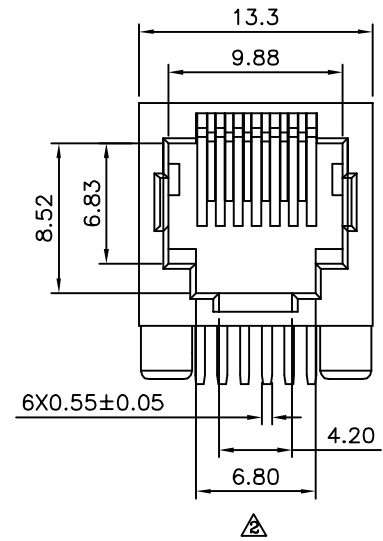


△ SPECIFICATION

Housing: PBT+G.F.(UL94V-0), Black
 Contact: Phosphor Bronze
 Gold Plated 06u" On Contact Area,
 Gold Flash On Other Area, Over Nickel
 Cavity Confirms To FCC Rules And Regulations
 Part 68, Subpart F.
 RoHS Compliant



△ Recommended P.C.B. Layout (Top View)
 PCB Thickness: 1.6mm Tolerance ±0.05

4UCON 元化興業股份有限公司
 4UCON TECHNOLOGY INC.

DRAWING No.		APPROVED BY		UNLESS OTHERWISE SPECIFIED TOLERANCES ARE .X ±0.25 .XX ±0.13 .XXX ±0.05
08427		EMILY		
		CHECKED BY		
		HZF		
		DRAWING BY		
		GAO		
SCALE	NONE	REV.	A2	UNIT
				mm

NO.	REV.	REVISIONS	CHK	DATE
△ A2		Modify Data	HZF	12/01/2012
△ A1		Modify Data	HZF	10/26/2007
△ A0		NEW RELEASE		