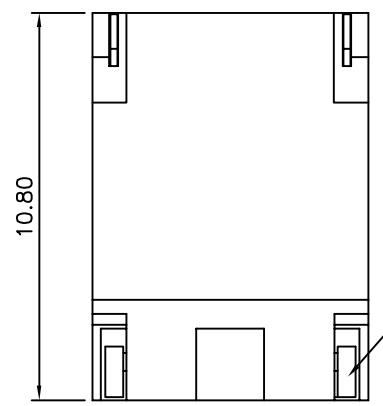
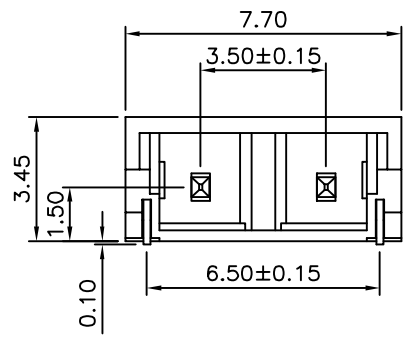
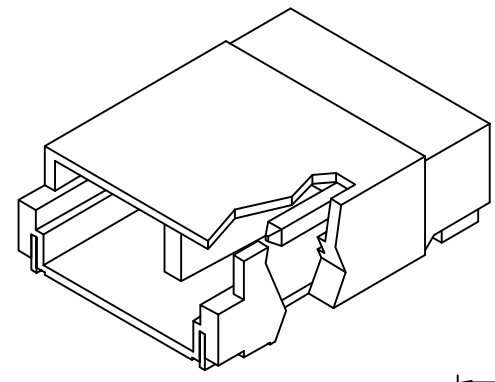
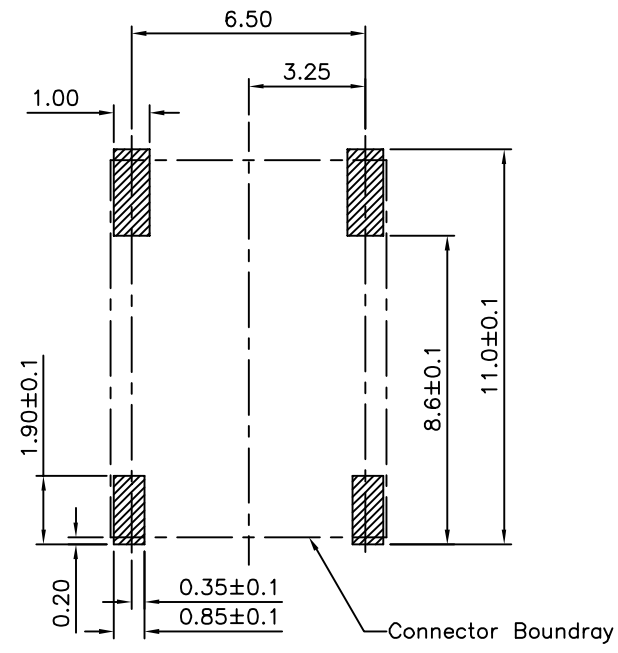
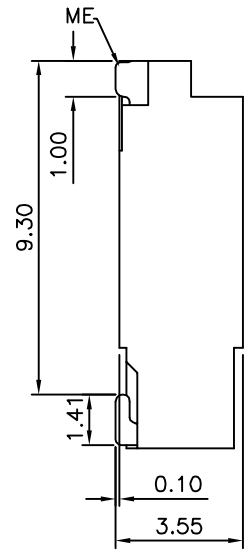
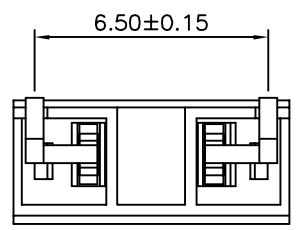


SPECIFICATION
 Current Rating:1.0Amp Max.
 Operation Voltage:1400V AC Max.
 Dielectric Withstanding Voltage:3800V AC/Minute
 Contact Resistance:20 Milliohms Max.
 Insulation Resistance:1000 Megohms Min.
 Operation Temperature:-45°C To +105°C
 ⚠ Housing:PA9T(UL94V-0)
 Terminal:Brass,Tin Alloy Plated
 ME:Brass,Tin Alloy Plated
 RoHS Compliant



Terminal



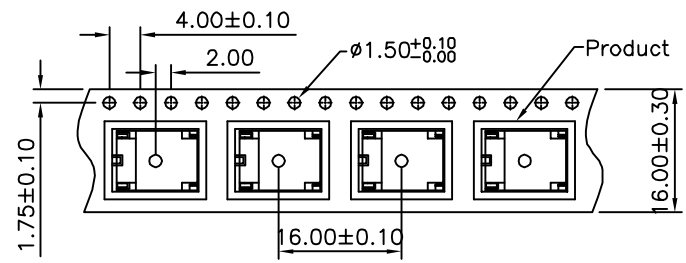
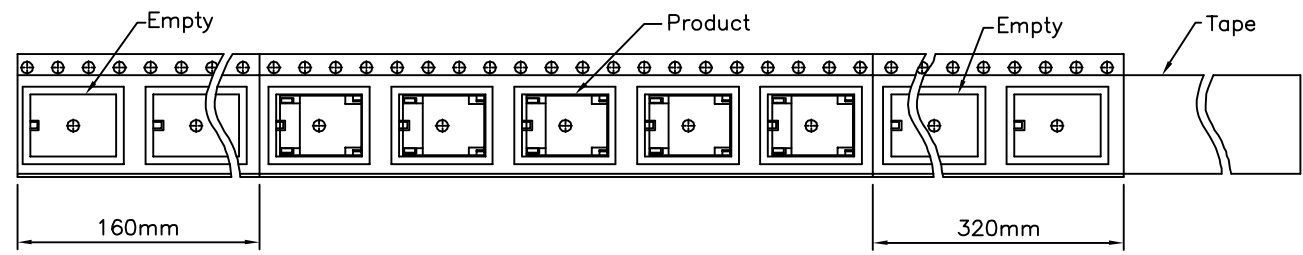
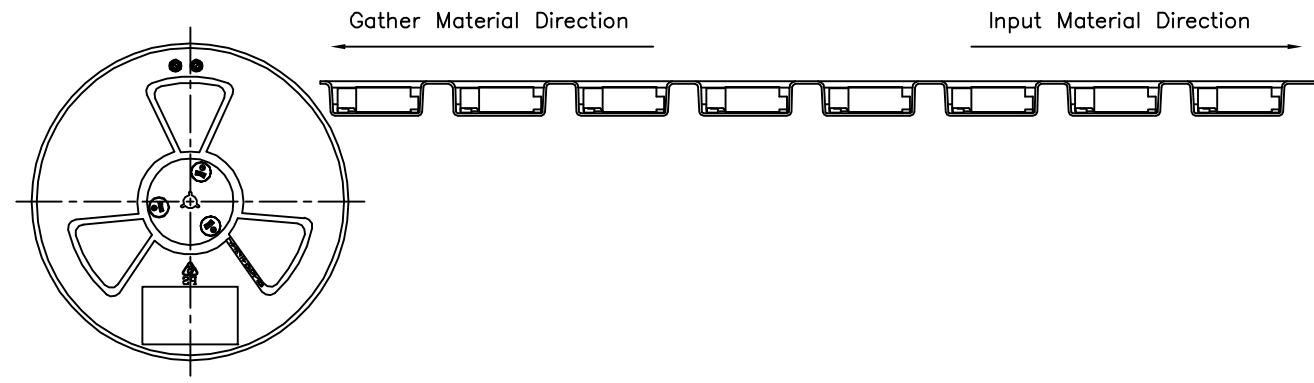
Recommend PCB Layout

4UCON 元化興業股份有限公司
 4UCON TECHNOLOGY INC.

DRAWING No.		APPROVED BY		UNLESS OTHERWISE SPECIFIED TOLERANCES ARE .X ±0.30 .XX ±0.20 .XXX ±0.13
09006		MEI		
		HZF		
		DRAWING BY		
		XYH		
SCALE	NONE	REV.	A1	UNIT mm

NO.	REV.	REVISIONS	CHK	DATE
△ A1		Modify Data	HZF	09/07/2009
△ A0		NEW RELEASE	HZF	09/10/2008

Notes:
 1.1000PCS/Reel
 2.19000PCS/Carton
 N.W:5.3Kg
 G.W:10.6Kg
 3.Carton Size:350*350*460
 RoHS Compliant



4UCON 元化興業股份有限公司
 4UCON TECHNOLOGY INC.

DRAWING No.		APPROVED BY		UNLESS OTHERWISE SPECIFIED TOLERANCES ARE
09006		MEI		
		CHECKED BY HZF		
		DRAWING BY XYH		X. ±0.5
SCALE NONE		REV. A1		.X ±0.4
				.XX ±0.2
				UNIT mm

NO.	REV.	REVISIONS	CHK	DATE
△	A1	Modify Data	HZF	09/07/2009
△	A0	NEW RELEASE	HZF	09/10/2008