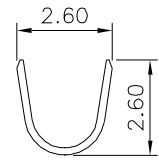
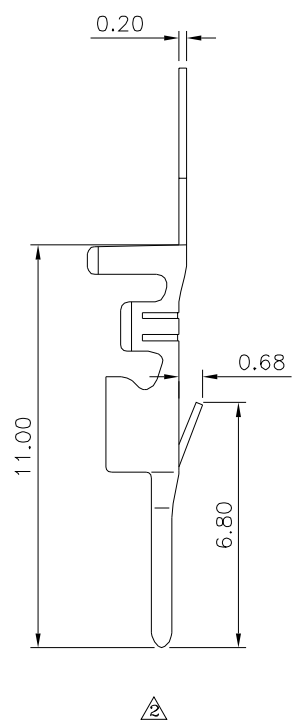
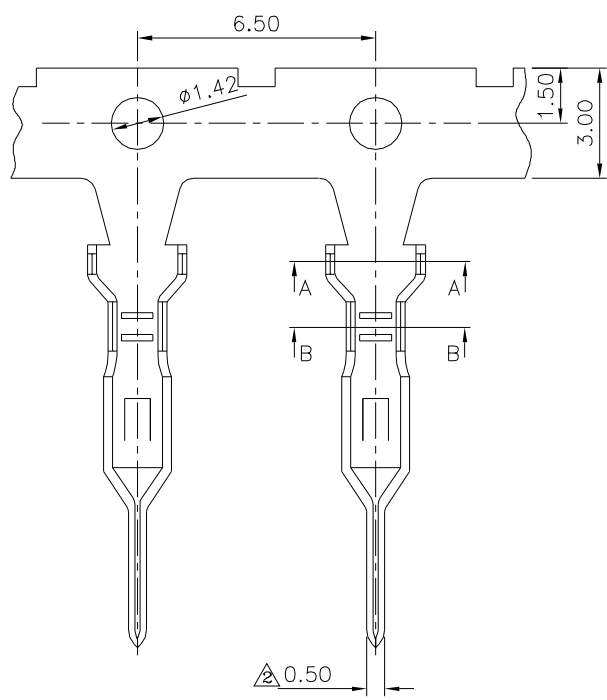
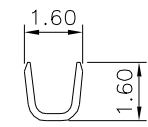


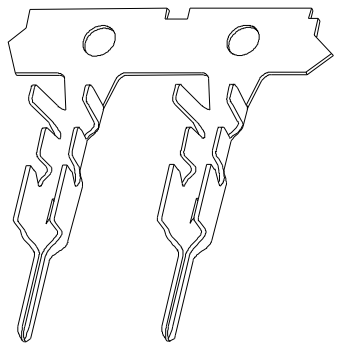
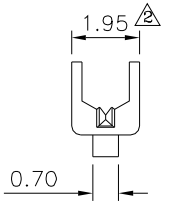
SPECIFICATION
 ⚠ Electrical Rating:1400V 1A,AC/DC
 Material:Phosphor Bronze,Tin Plated Over Nickel
 Applicable Wire AWG#28~#24
 ⚠ Qty:10K PCS/Reel
 RoHS Compliant



Section A-A



Section B-B



4UCON 元化興業股份有限公司
 4UCON TECHNOLOGY INC.

DRAWING No. ⚠
 09011

APPROVED BY MEI
 CHECKED BY HZF
 DRAWING BY CYP

UNLESS OTHERWISE SPECIFIED TOLERANCES ARE
 .X ±0.30
 .XX ±0.20
 .XXX ±0.10
 ANG. ±2°

SCALE NONE REV. A2 UNIT mm

| NO. | REV. | REVISIONS | CHK | DATE |
|-----|------|-------------|-----|------------|
| ⚠ | A2 | Modify Data | HZF | 10/08/2018 |
| ⚠ | A1 | Modify Data | HZF | 04/14/2011 |
| ⚠ | A0 | NEW RELEASE | HZF | 04/27/2009 |