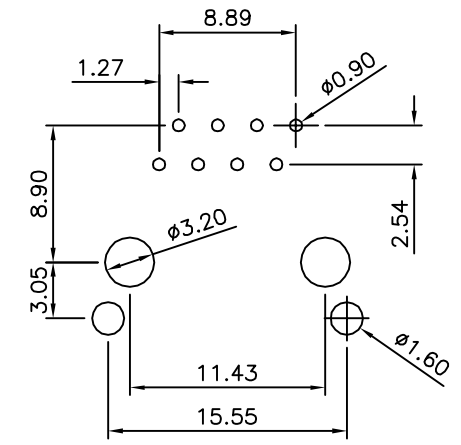
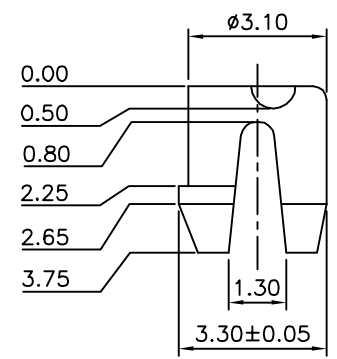
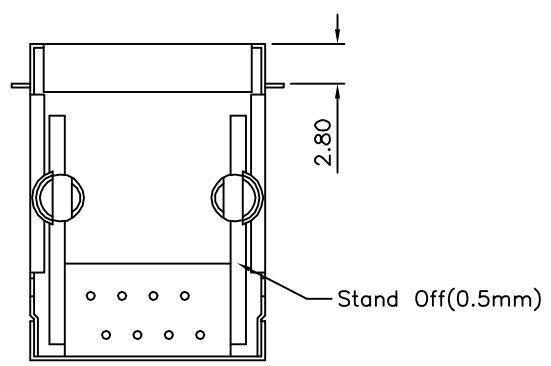
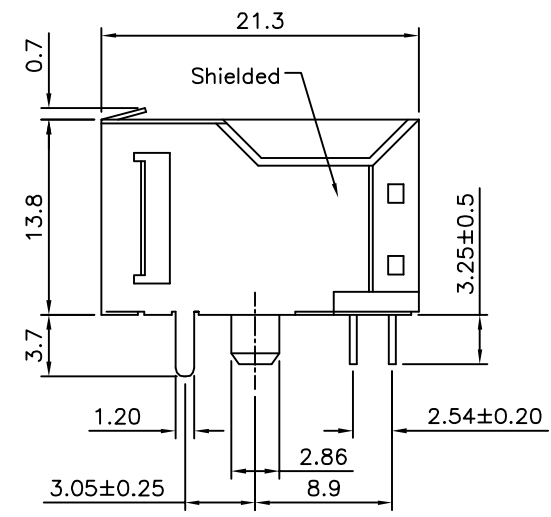
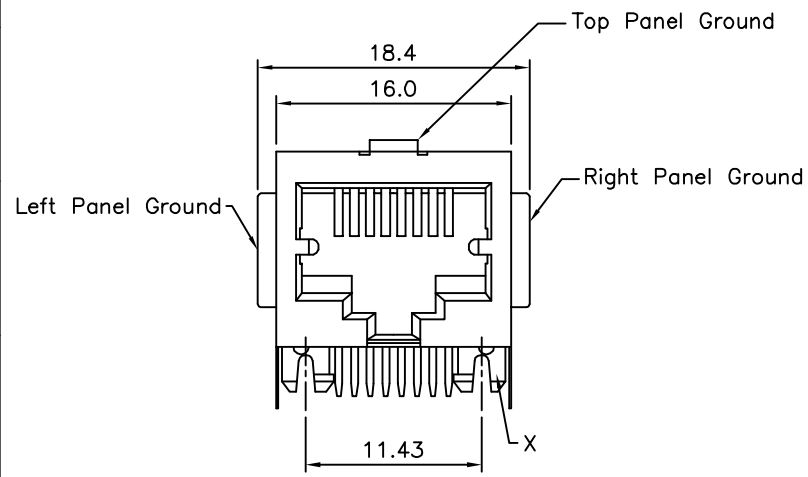


**△ SPECIFICATION**

Housing:PBT+G.F.(UL94V-0),Black  
 Contact:0.45mm Dia. Phosphor Bronze  
 Gold Plated 6u" Over Nickel  
 Shield:Copper Alloy,Nickel Plated  
 Cavity Confirms To FCC Rules And Regulations  
 Part 68,Subpart F.  
 RoHS Compliant



Detail X

Recommended P.C.B. Layout

**4UCON** 元化興業股份有限公司  
 4UCON TECHNOLOGY INC.

DRAWING No.		APPROVED BY		UNLESS OTHERWISE SPECIFIED TOLERANCES ARE .X ±0.25 .XX ±0.13 .XXX ±0.05 ANG. ±0.5°
09057		EMILY		
		CHECKED BY HZF		
		DRAWING BY WSS		
SCALE	NONE	REV.	A3	UNIT mm

NO.	REV.	REVISIONS	CHK	DATE
△ A3		Modify Data	HZF	03/07/2011
△ A2		Modify Data	HZF	04/16/2010
△ A1		Modify Data	BECKY	2004/02/12
△ A0		NEW RELEASE		