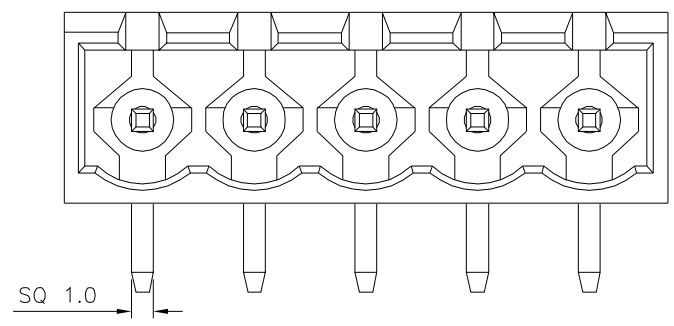
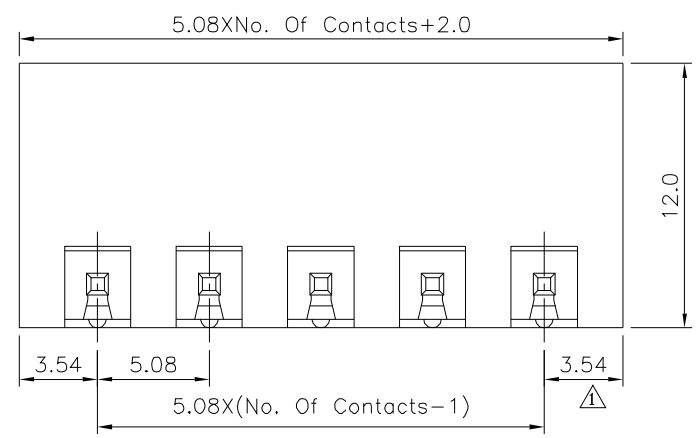
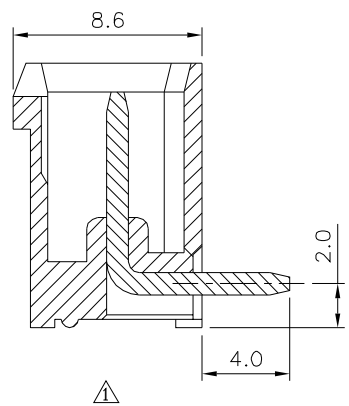


△ Recommended P.C.B. Layout



△ SPECIFICATION

Current Rating:16A
 Voltage Rating:300V AC
 Withstanding Voltage:2500V AC For 1 Minute
 Using Temperature Range:-40°C~+105°C
 Soldering Temperature:+250°C,5s Max.
 Insulator Body(Housing):Polyamide+G.F.(UL94V-0),Green
 Solder Pin:Copper Alloy,Tin Plated
 RoHS Compliant

4UCON 元化興業股份有限公司
 4UCON TECHNOLOGY INC.

DRAWING No. △△
 09097

APPROVED BY MEI
 CHECKED BY HZF
 DRAWING BY CYP
 REV. A3

UNLESS OTHERWISE SPECIFIED TOLERANCES ARE
 X. ±0.50
 .X ±0.30
 .XX ±0.20
 ANG. ±1°
 UNIT mm

NO.	REV.	REVISIONS	CHK	DATE
△3	A3	Modify Data	HZF	12/10/2015
△2	A2	Modify Data	HZF	06/16/2015
△1	A1	Modify Data	HZF	08/29/2013
△0	A0	NEW RELEASE	HZF	12/04/2009