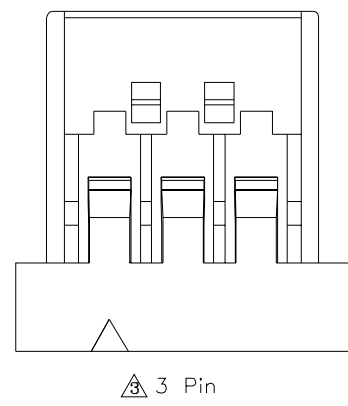
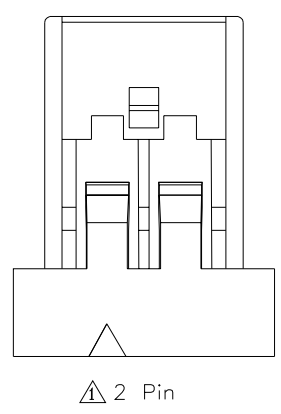
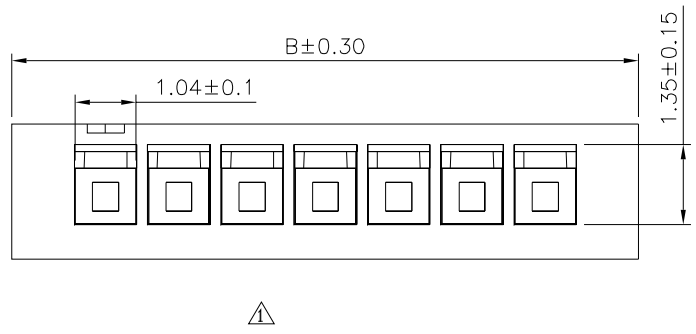
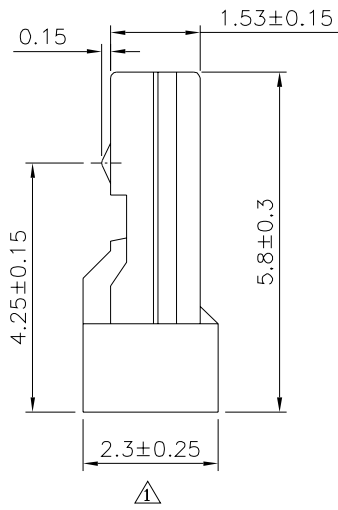
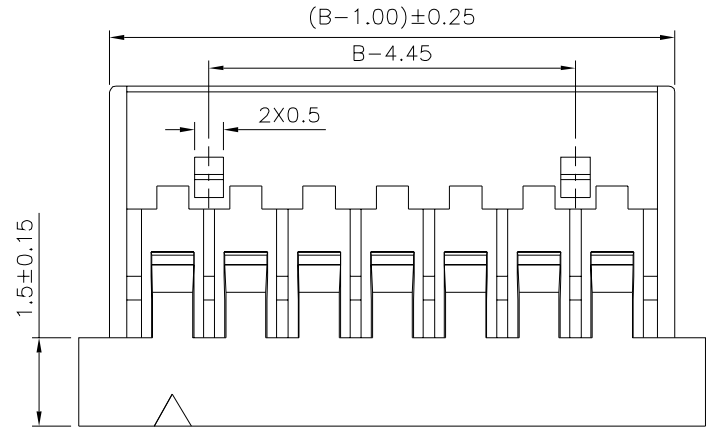
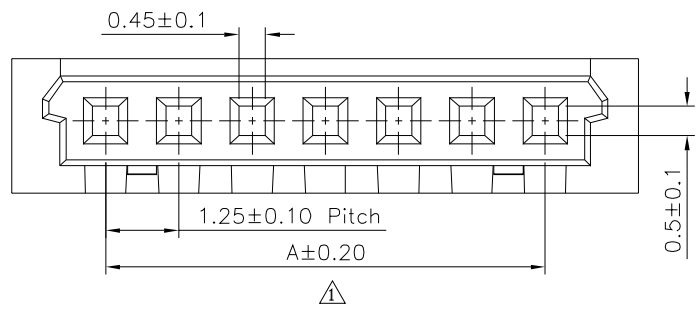


△△ SPECIFICATION
 Current Rating:1A AC/DC
 Voltage Rating:250V AC/DC
 Withstanding Voltage:500V AC/Minute
 Contact Resistance:20 Milliohms Max.
 Insulation Resistance:1000 Megohms Min.
 Temperature Range:-25°C~+85°C
 Housing:PA66+15%G.F.(UL94V-0),Grey
 RoHS Compliant



Pin	A	B
02	1.25	4.45
03	2.50	5.70
04	3.75	6.95
05	5.00	8.20
06	6.25	9.45
07	7.50	10.70
08	8.75	11.95
09	10.00	13.20
10	11.25	14.45
14	16.25	19.45
16	18.75	21.95
20	23.75	26.95
25	30.00	33.20
26	31.25	34.45
30	36.25	39.45

4UCON 元化興業股份有限公司
 4UCON TECHNOLOGY INC.

DRAWING No. △ 09192
 APPROVED BY MEI
 CHECKED BY HZF
 DRAWING BY CYP
 SCALE NONE REV. B3

UNLESS OTHERWISE SPECIFIED TOLERANCES ARE
 .X ±0.30 .X* ±3*
 .XX ±0.25 .XX* ±1*
 .XXX ±0.15 △

NO.	REV.	REVISIONS	CHK	DATE
△	B3	Modify Data	HZF	03/17/2020
△	B2	Modify Data	HZF	07/24/2015
△	B1	Modify Data	HZF	07/30/2013
△	B0	NEW RELEASE	HZF	12/24/2007