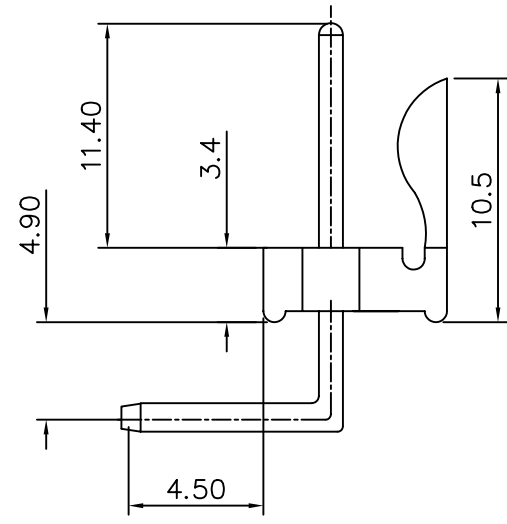
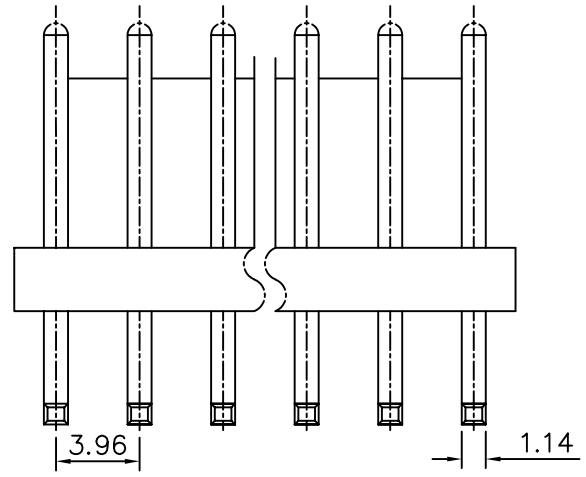
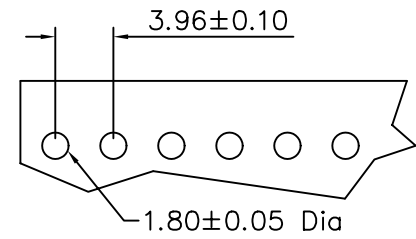
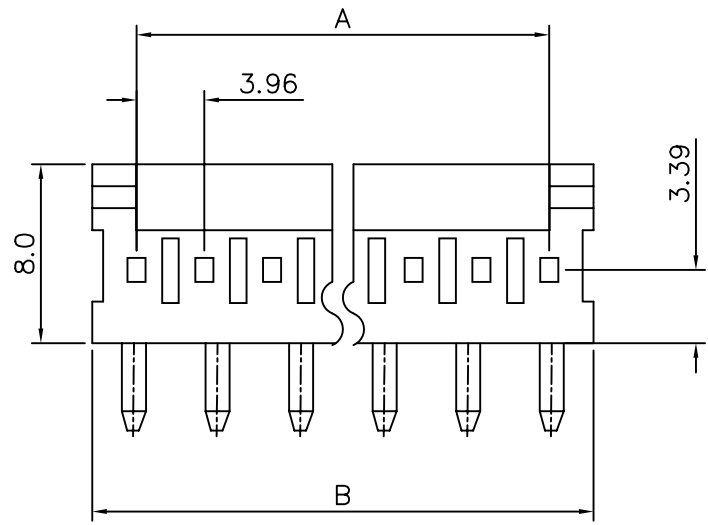


SPECIFICATIONS

Current Rating: 4A AC, DC
 Voltage Rating: 250V AC, DC
 Base: Nylon UL 94V-2 Or UI 94V-0
 Post: Copper Alloy, 1.14mm Square Pin
 Tin-plated Or Gold Plated



| Poles | Dimension mm | | Poles | Dimension mm | |
|-------|--------------|-------|-------|--------------|-------|
| | A | B | | A | B |
| 2 | 3.96 | 7.96 | 14 | 51.48 | 55.48 |
| 3 | 7.92 | 11.92 | 15 | 55.44 | 59.44 |
| 4 | 11.88 | 15.88 | 16 | 59.40 | 63.40 |
| 5 | 15.84 | 19.84 | 17 | 63.36 | 67.36 |
| 6 | 19.80 | 23.80 | 18 | 67.32 | 71.32 |
| 7 | 23.76 | 27.76 | 19 | 71.28 | 75.28 |
| 8 | 27.72 | 31.72 | 20 | 75.24 | 79.24 |
| 9 | 31.68 | 35.68 | 21 | 79.20 | 83.20 |
| 10 | 35.64 | 39.64 | 22 | 83.16 | 87.16 |
| 11 | 39.60 | 43.60 | 23 | 87.12 | 91.12 |
| 12 | 43.56 | 47.56 | 24 | 91.08 | 95.08 |
| 13 | 47.52 | 51.52 | | | |

4UCON 元化興業股份有限公司
 4UCON TECHNOLOGY INC.

DRAWING No.
 09554

APPROVED BY MEI
 CHECKED BY RAN
 DRAWING BY HZF

UNLESS OTHERWISE SPECIFIED
 TOLERANCES ARE
 .X ±0.38
 .XX ±0.25
 .XXX

SCALE NONE REV. A

UNIT mm



AREA REVISIONS CHK DATE