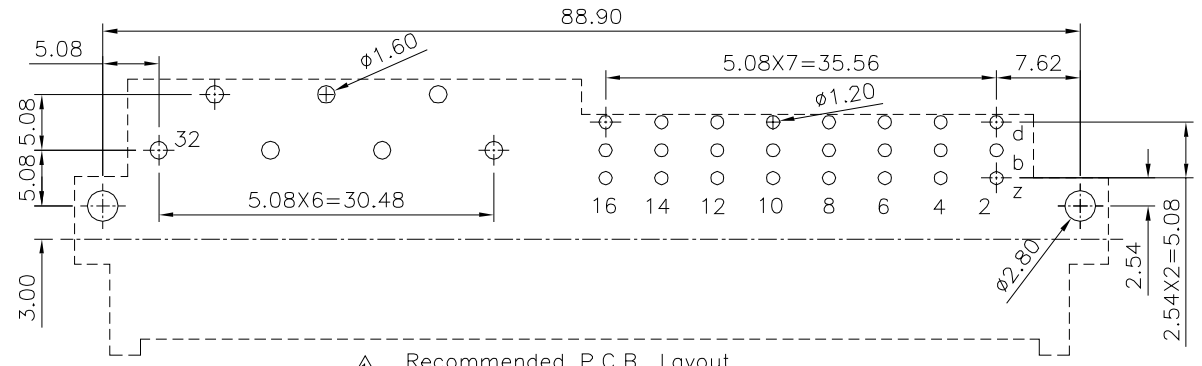
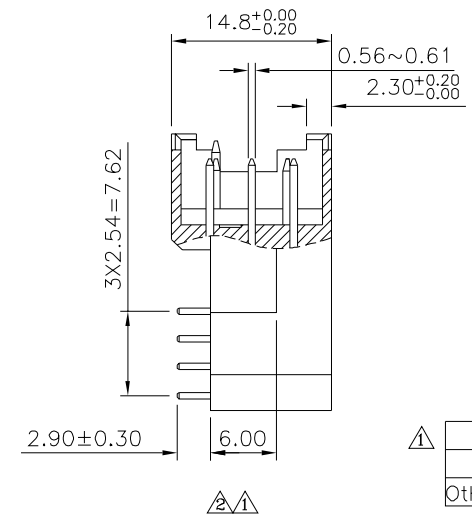
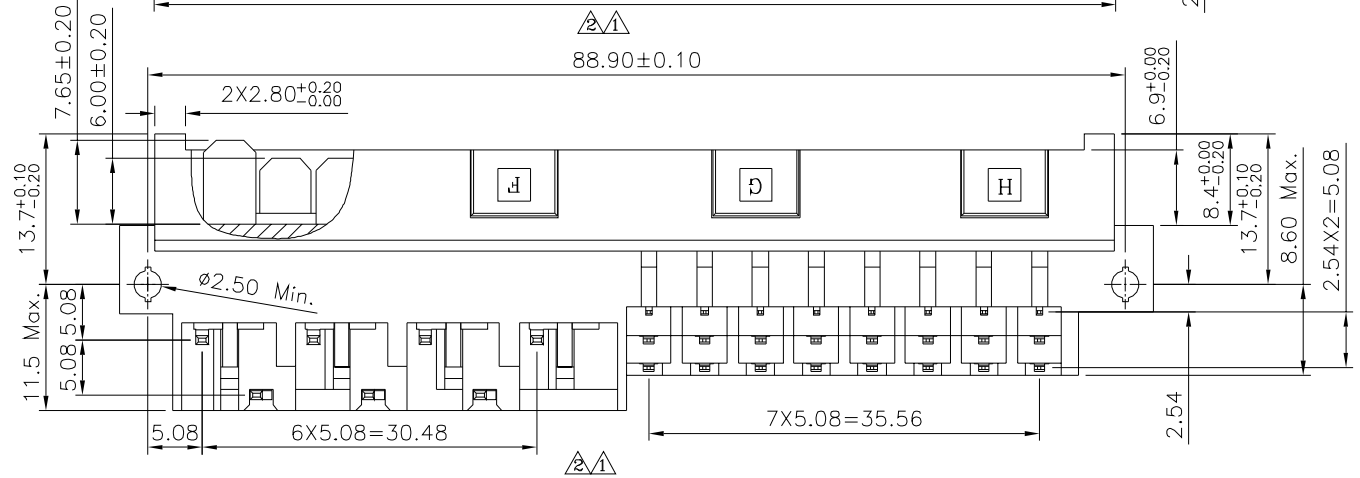
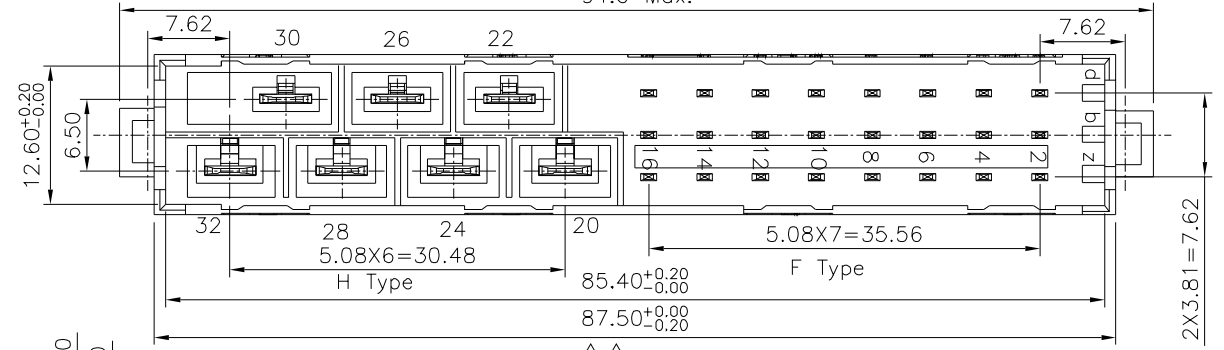


△△△ SPECIFICATION
 Current Rating:F Type 5.6 Amp/H Type 15 Amp
 Withstanding Voltage:F Type AC 1550V/H Type AC 3100V
 Insulation Resistance:1000 Megaohms Min. At 500V DC
 Contact Resistance:F Type 15 Milliohms Max./H Type 8 Milliohms Max. At DC 100mA
 Operation Temperature:-55°C~+125°C
 Housing:PBT+G.F.(UL94V-0)
 Contact:Brass,Z20~Z32: Tin Pated Over Nckel Other:Gold Flash On Contact Area,Tin Plated On Solder Tails,Over Nickel
 RoHS Compliant



△ Recommended P.C.B. Layout
 (PCB Board Tolerance±0.05)
 94.0 Max.



Pin	Mating Length
Z32	7.65
Other Pin	6.0

4UCON 元化興業股份有限公司
 4UCON TECHNOLOGY INC.

DRAWING No. 09580
 APPROVED BY MEI
 CHECKED BY HZF
 DRAWING BY SONG
 SCALE NONE REV. A3

UNLESS OTHERWISE SPECIFIED TOLERANCES ARE
 X. ±0.5
 .X ±0.25
 .XX ±0.15
 UNIT mm

NO.	REV.	REVISIONS	CHK	DATE
△3	A3	Modify Data	HZF	07/19/2023
△2	A2	Modify Data	HZF	06/26/2013
△1	A1	Modify Data	HZF	02/10/2012
△0	A0	NEW RELEASE		