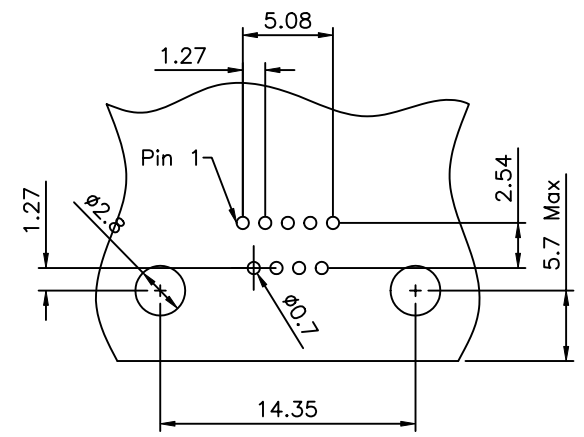
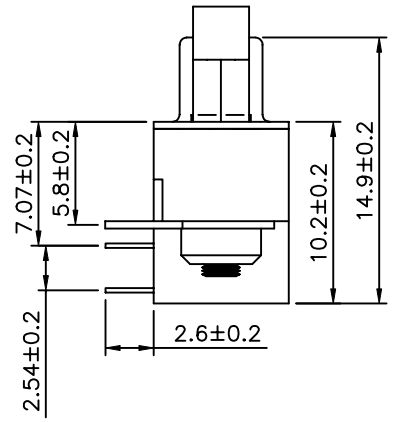
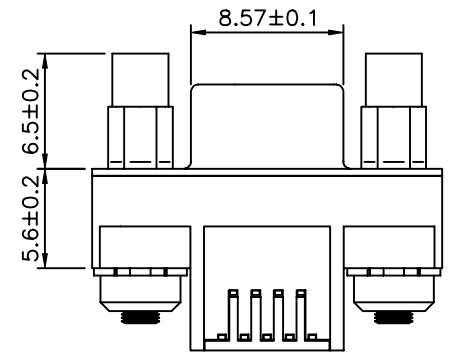
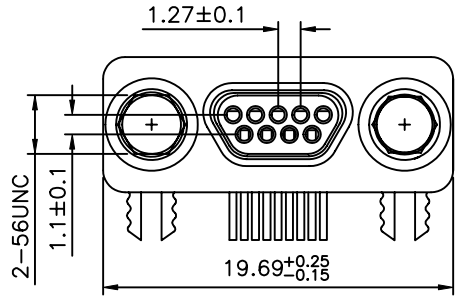
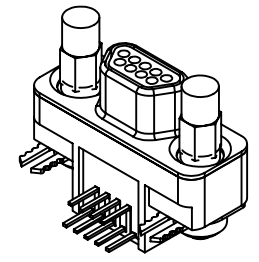
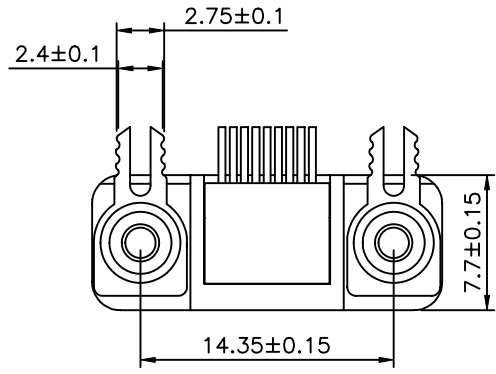


**SPECIFICATIONS**

Contact Current Rating:1Amp  
 Dielectric Withstanding Voltage:500V AC  
 Insulation Resistance:1000Megohms Min  
 Contact Resistance:45Milliohms Max  
 Operation Temperature:-55°C~+85°C  
 Insulator:Thermoplastic,UL94V-0  
 Shell: Cold Roller Steel  
 Bright Tin Over Copper  
 Contacts:Copper Alloy  
 15u" Min Gold On Mating End  
 Tin On Termination End  
 All Underplated Nickel  
 RoHS Compliant



Recommended PC Board Layout  
 (9 Position Only)Tolerance:±0.05



**4UCON** 元化興業股份有限公司  
 4UCON TECHNOLOGY INC.

DRAWING No.		APPROVED BY		UNLESS OTHERWISE SPECIFIED TOLERANCES ARE X. ±0.25 .X ±0.2 .XX ±0.15 ANG.
09588		MEI		
		HZF		
		DRAWING BY		UNIT mm
		PEGA		
SCALE	NONE	REV.	BO	NO. REV.

△ BO	NEW RELEASE	HZF	10/25/2008
NO. REV.	REVISIONS	CHK	DATE