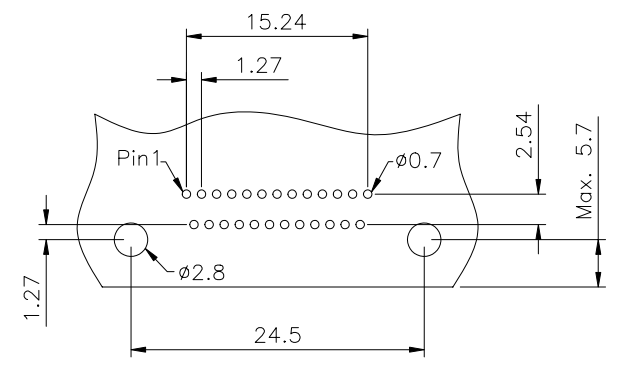
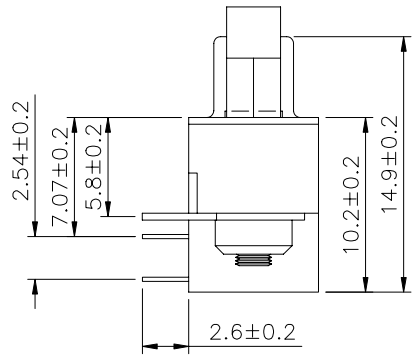
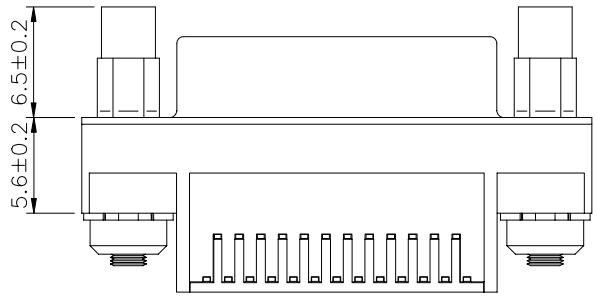
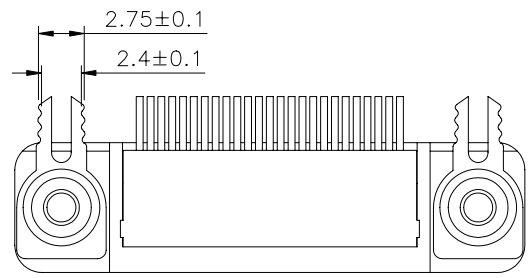


SPECIFICATION
 Contact Current Rating:1Amp
 Dielectric Withstanding Voltage:500V AC
 Insulation Resistance:1000 Megaohms Min.
 Contact Resistance:45 Milliohms Max.
 Operation Temperature:-55°C To +85°C
 Insulator:Thermoplastic,UL94V-0
 Contact:Copper Alloy,Gold Plated On Mating End
 Tin Plated On Termination End
 All Underplated Nickel
 Shell:Cold Roller Steel,Bright Tin Plated Over Copper
 RoHS Compliant



Recommended PC Board Layout
 Tolerance:±0.05



4UCON 元化興業股份有限公司
 4UCON TECHNOLOGY INC.

DRAWING No.		APPROVED BY		UNLESS OTHERWISE SPECIFIED TOLERANCES ARE							
09590		MEI				X.	±0.25				
		CHECKED BY				HZF	.X	±0.2			
		DRAWING BY		XYH	.XX	±0.15					
SCALE	NONE	REV.	CO	UNIT	mm		CO	NEW RELEASE	BECKY	03/31/2009	
							NO.REV.	REVISIONS	CHK	DATE	