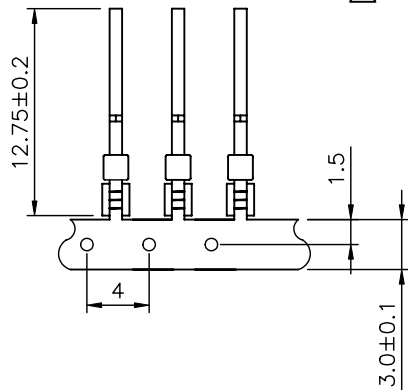
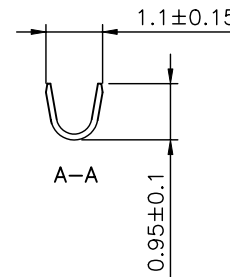
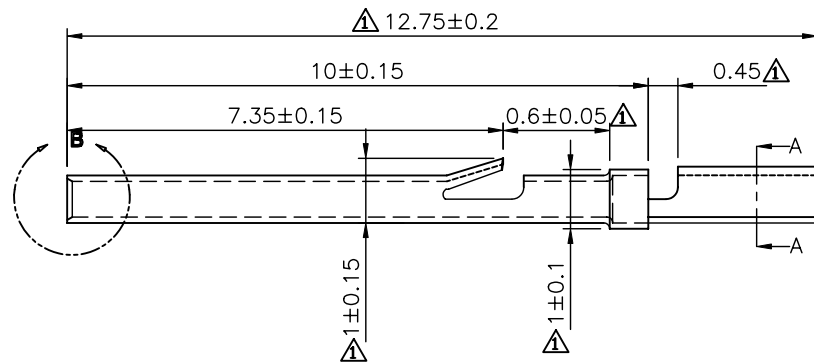
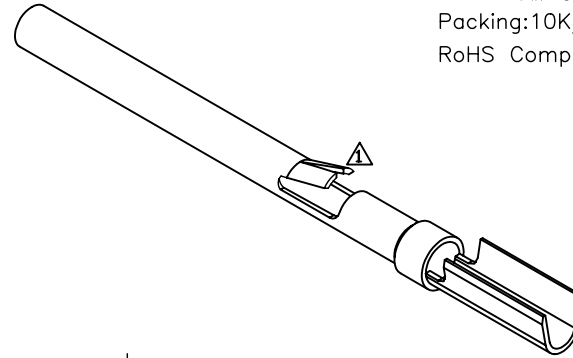
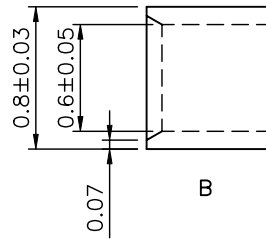


▲ SPECIFICATION
 Material: Phosphor Bronze
 Plating: 15u" Gold On Mating End;
 All Underplated Nickel
 Packing: 10K/Reel
 RoHS Compliant



4UCON 元化興業股份有限公司
 4UCON TECHNOLOGY INC.

DRAWING No.

09594

APPROVED BY

MEI

CHECKED BY

HZF

DRAWING BY

HYY

UNLESS OTHERWISE SPECIFIED TOLERANCES ARE

.X ±0.25

.X ±0.20

.XX ±0.15

SCALE

NONE

REV.

A1

UNIT
mm



▲ A1

Modify Data

HZF

04/23/2009

▲ A0

NEW RELEASE

NO. REV.

REVISIONS

CHK

DATE