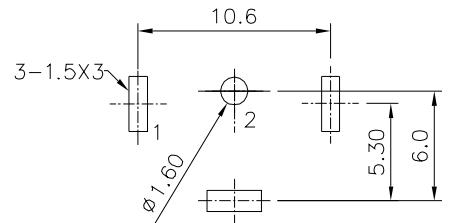
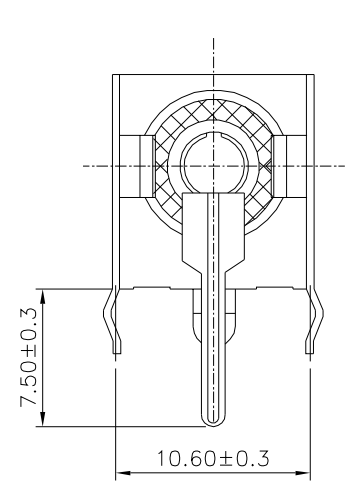


△△ SPECIFICATION
 Current Rating:1A Max.
 Voltage Rating:12V DC
 Contact Resistance:30 Milliohms Max.
 After Testing:100 Milliohms Max.
 Insulation Resistance:100 Megaohms Min.
 Withstanding Voltage:500V AC Min.
 Insertion Force:3N~30N
 Withdrawal Force:3N~30N
 Durability:500 Cycles
 Temperature Range:-20°C~60°C
 RoHS Compliant

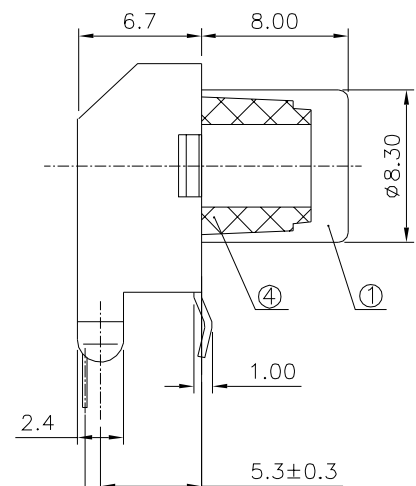


△△△ P.C.B. Layout(Top View)

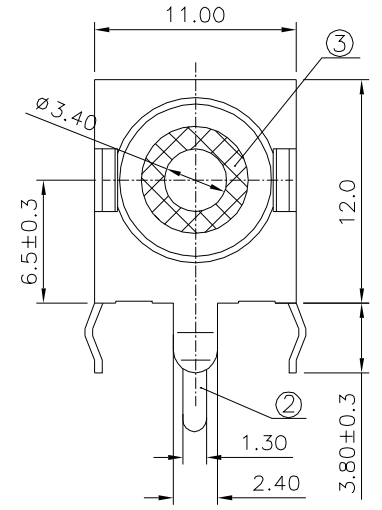
Black	09602
Red	09603
White	09604
Yellow	09605



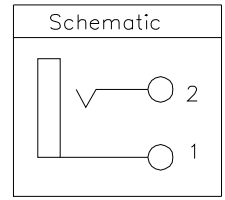
△△△



△△△



△△△



△	No.	Name	Material	Finish	Q'ty
①	1	Socket	Brass	CuSn Plated	1
②	2	Terminal	Brass	CuSn Plated	1
③	3	Washer	PC		1
④	4	Washer-1	PA66	Black	1

4UCON 元化興業股份有限公司
 4UCON TECHNOLOGY INC.

DRAWING No. 09602

APPROVED BY MEI
 CHECKED BY HZF
 DRAWING BY CYP

UNLESS OTHERWISE SPECIFIED TOLERANCES ARE
 L<4 ±0.2
 4<L<16 ±0.3
 16<L<63 ±0.4
 63<L ±0.5
 ANG. ±5°

△	No.	REVISIONS	CHK	DATE
△	A4	Modify Data	HZF	06/04/2021
△	A3	Modify Data	HZF	12/28/2015
△	A2	Modify Data	HZF	08/09/2010
△	A1	Modify Data	HZF	11/05/2009
△	A0	NEW RELEASE	HZF	05/10/2008

SCALE NONE REV. A4 UNIT mm