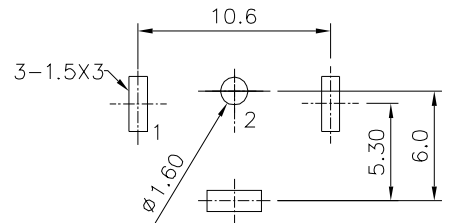
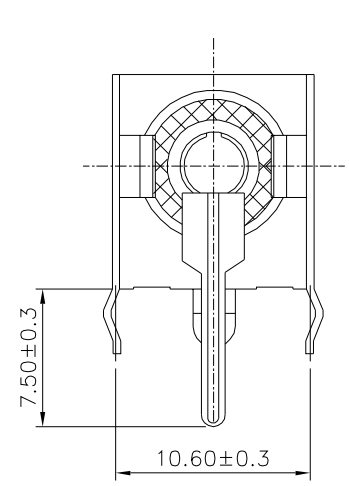


△△ SPECIFICATION
 Current Rating:1A Max.
 Voltage Rating:12V DC
 Contact Resistance:30 Milliohms Max.
 After Testing:100 Milliohms Max.
 Insulation Resistance:100 Megaohms Min.
 Withstanding Voltage:500V AC Min.
 Insertion Force:3N~30N
 Withdrawal Force:3N~30N
 Durability:500 Cycles
 Temperature Range:-20°C~60°C
 RoHS Compliant

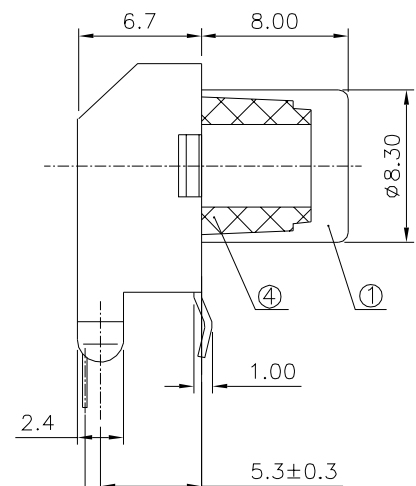


△△△ P.C.B. Layout(Top View)

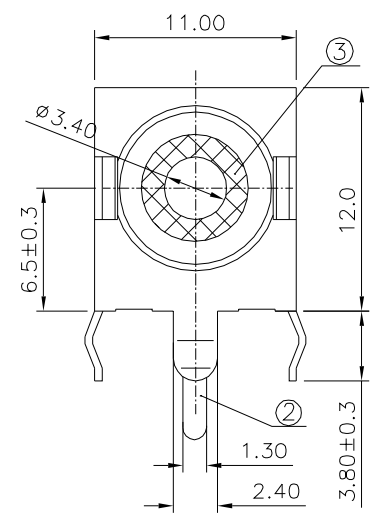
Black	09602
Red	09603
White	09604
Yellow	09605



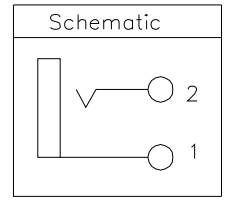
△△△



△△△



△△△



△	No.	Name	Material	Finish	Q'ty
①	1	Socket	Brass	CuSn Plated	1
②	2	Terminal	Brass	CuSn Plated	1
③	3	Washer	PC		1
④	4	Washer-1	PA66	Black	1

4UCON 元化興業股份有限公司
 4UCON TECHNOLOGY INC.

DRAWING No.		APPROVED BY		UNLESS OTHERWISE SPECIFIED TOLERANCES ARE		△ A4		Modify Data		HZF		06/04/2021			
09603		MEI		L<4 ±0.2 4<L<16 ±0.3 16<L<63 ±0.4 63<L ±0.5 ANG. ±5°		△ A3		Modify Data		HZF		12/28/2015			
		CHECKED BY				HZF		△ A2		Modify Data		HZF		08/09/2010	
		DRAWING BY				CYP		△ A1		Modify Data		HZF		11/05/2009	
SCALE	NONE	REV.	A4	UNIT	mm	△ A0		NEW RELEASE		HZF		05/10/2008			
						NO.REV.		REVISIONS		CHK		DATE			