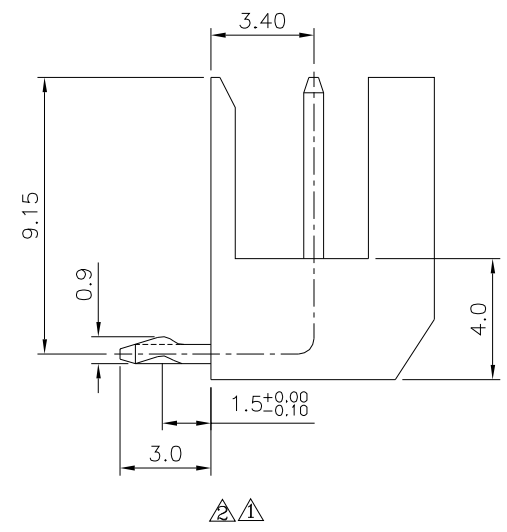
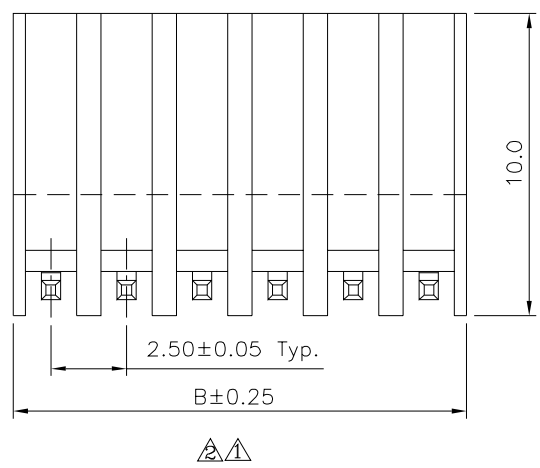


**△ SPECIFICATION**  
 Insulator: PBT+30%G.F.(UL94V-0)  
 Contact: Brass, Tin Plated  
 RoHS Compliant



| Pin | A     | B     | C     |
|-----|-------|-------|-------|
| 2   | 2.50  | 5.00  | 2.20  |
| 3   | 5.00  | 7.50  | 2.70  |
| 4   | 7.50  | 10.00 | 5.20  |
| 5   | 10.00 | 12.50 | 5.20  |
| 6   | 12.50 | 15.00 | 6.20  |
| 7   | 15.00 | 17.50 | 8.20  |
| 8   | 17.50 | 20.00 | 10.20 |
| 9   | 20.00 | 22.50 | 10.20 |
| 10  | 22.50 | 25.00 | 10.20 |
| 11  | 25.00 | 27.50 | 11.20 |
| 12  | 27.50 | 30.00 | 11.20 |
| 13  | 30.00 | 32.50 | 13.20 |
| 14  | 32.50 | 35.00 | 13.20 |

**4UCON** 元化興業股份有限公司  
 4UCON TECHNOLOGY INC.

|             |      |             |     |   |
|-------------|------|-------------|-----|---|
| DRAWING No. |      | APPROVED BY |     | UNLESS OTHERWISE SPECIFIED TOLERANCES ARE<br>.X $\pm 0.25$<br>.XX $\pm 0.15$<br>.XXX $\pm 0.08$ |
| 09659       |      | MEI         |     |   |
|             |      | CHECKED BY  | HZF |   |
|             |      | DRAWING BY  | WZL |   |
| SCALE       | NONE | REV.        | A2  | UNIT<br>mm  |

|      |      |             |     |            |
|------|------|-------------|-----|------------|
| NO.  | REV. | REVISIONS   | CHK | DATE       |
| △ A2 |      | Modify Data | HZF | 12/19/2023 |
| △ A1 |      | Modify Data | HZF | 08/06/2010 |
| △ A0 |      | NEW RELEASE |     |            |