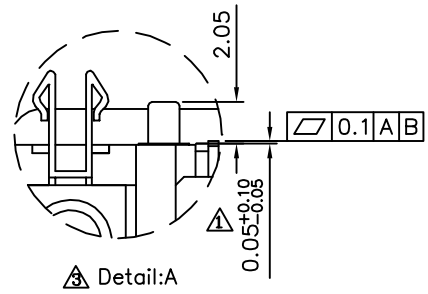
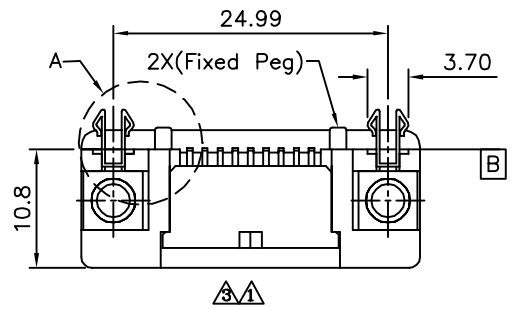
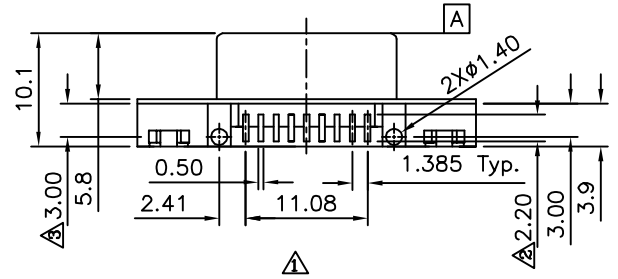


Pin Number :  
1 6 2 7 3 8 4 9 5

Recommended P.C.B. Layout(Top View)  
(PCB Board Tolerance±0.05)Thickness:1.60±0.05mm

△△ SPECIFICATION

- Current Rating:1.0A DC
- Voltage Rating:300V DC
- Withstand Voltage:500V AC For 1 Minute
- Contact Resistance:30 Milliohms Max.(Initial)
- Insulation Resistance:1000 Megaohms Min.
- Operation Temperature:-55°C~+85°C
- Storage Temperature:-55°C~+105°C
- Insulator:PA6T+30%G.F.(UL94V-0)Black
- Contact:Phosphor Bronze,Gold Plated On Contact Area,  
Tin Plated On Solder Tails,Over Nickel
- Metal Shell:SPCC,Nickel Plated Over Copper
- Boardlock:Brass,Tin Plated Over Nickel
- Rivet:Brass,Nickel Plated
- RoHS Compliant



**4UCON** 元化興業股份有限公司  
4UCON TECHNOLOGY INC.

DRAWING No.		APPROVED BY		UNLESS OTHERWISE SPECIFIED TOLERANCES ARE .X ±0.30 △.XX ±0.20 .XXX ±0.10 ANG. ±3°
09763		MEI		
		CHECKED BY	HZF	
		DRAWING BY	CYP	
SCALE	NONE	REV.	A3	UNIT mm

△ A3	Modify Data	HZF	10/07/2015
△ A2	Modify Data	HZF	05/03/2013
△ A1	Modify Data	HZF	10/14/2010
△ A0	NEW RELEASE	HZF	02/19/2008
NO. REV.	REVISIONS	CHK	DATE