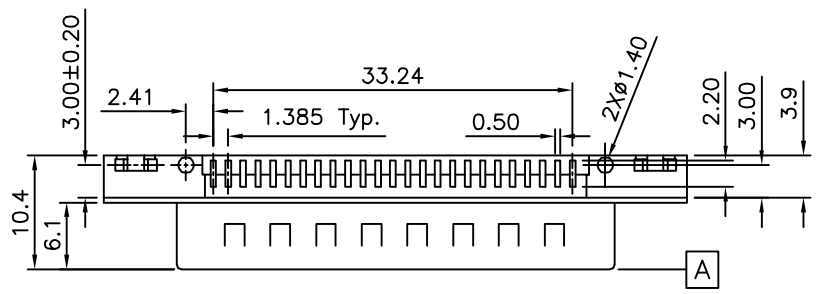
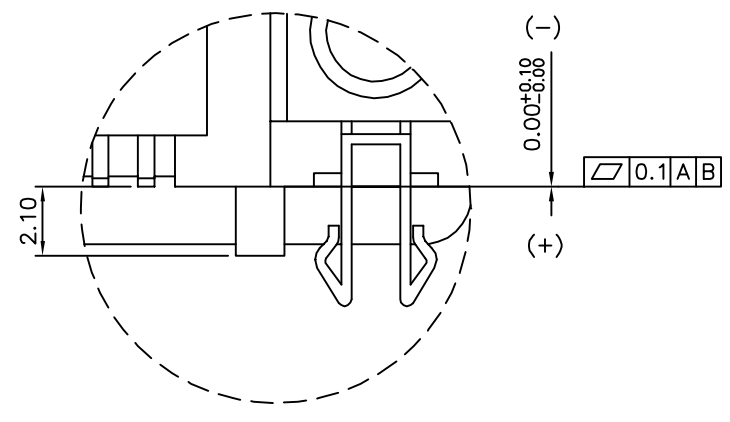
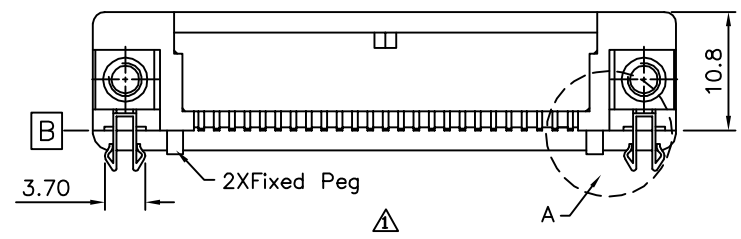


△ SPECIFICATION
 Housing:PA6T+30%G.F.(UL94V-0),Black
 Terminal:Phosphor Bronze,Gold Flash On Contact Area,Tin Plated On Solder Tails,Over Nickel
 Shell:SPCC,Nickel Plated Over Copper
 Boardlock:Brass,Tin Plated
 Nut:Brass,Nickel Plated
 RoHS Compliant

Pin Number:
 13 25 12 24 11 23 10 22 9 21 8 20
 7 19 6 18 5 17 4 16 3 15 2 14 1

△ Recommended P.C.B. Layout
 Recommended PCB Thickness=1.60±0.05mm



4UCON 元化興業股份有限公司
 4UCON TECHNOLOGY INC.

DRAWING No.		APPROVED BY		UNLESS OTHERWISE SPECIFIED TOLERANCES ARE △ .X ±0.25 .XX ±0.15 .XXX ±0.08 ANG. ±1°
09765		EMILY		
		HZF		
		DRAWING BY		UNIT mm
		SONG		
SCALE	NONE	REV.	A1	

NO.	REV.	REVISIONS	CHK	DATE
△ A1		Modify Data	HZF	09/13/2012
△ A0		NEW RELEASE		