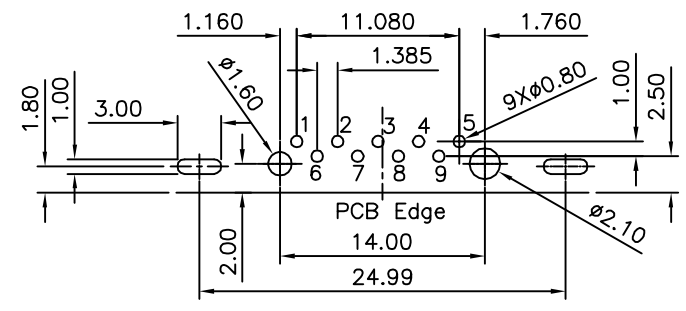
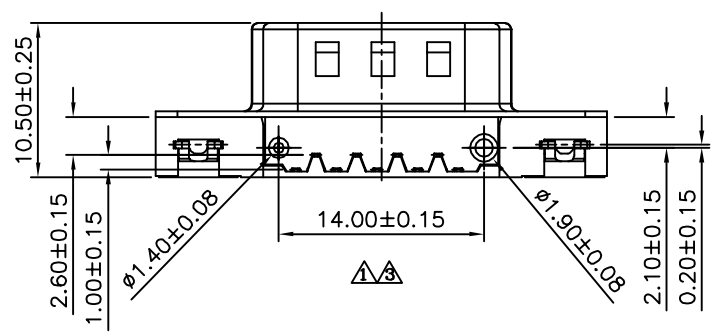
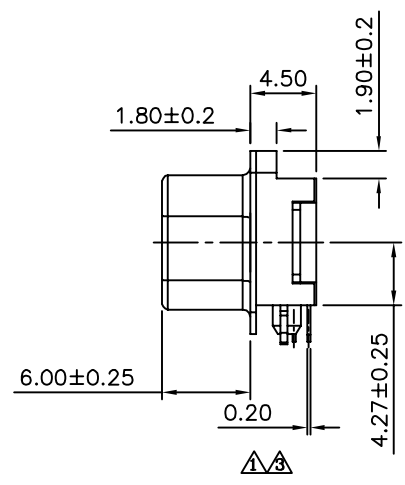
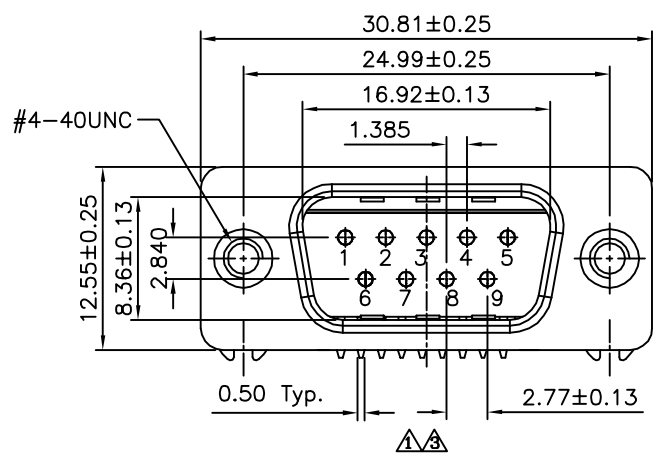
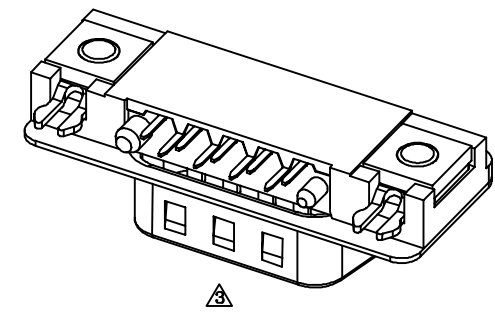
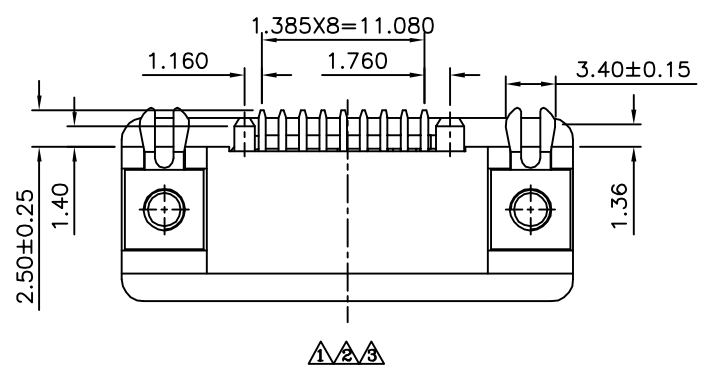


△△ SPECIFICATION

Voltage:250V AC RMS Max.
 Current Rating:3A Per Contact
 Dielectric Withstanding Voltage:500V AC RMS
 Contact Resistance:25 Milliohms Max.
 Insulation Resistance:1000 Megaohms Min.
 Operating Temperature:-55°C~+85°C
 Total Mating Force:4.0 Kgf Max.
 Total Unmating Force:1.0 Kgf Min.
 Housing:PBT(UL94V-0),Black
 Contact:Brass,Gold Flash On Contact Area
 Tin Plated On Solder Tails,Over Nickel
 Shell:SPCC,Nickel Plated
 Boardlock:Brass,Tin Plated
 Rivet:Free-Cutting Brass,Nickel Plated
 RoHS Compliant



△ Recommended P.C.B. Layout



4UCON 元化興業股份有限公司
 4UCON TECHNOLOGY INC.

DRAWING No.		APPROVED BY		UNLESS OTHERWISE SPECIFIED TOLERANCES ARE					
09770		EMLY		.XX ±0.25		△ A3		Modify Data	
		HZF		.XXX ±0.13		△ A2		Modify Data	
		HAO		.X" ±2"		△ A1		Modify Data	
SCALE		REV.		UNIT		△ A0		NEW RELEASE	
NONE		A3		mm		NO.REV.		REVISIONS	
						CHK		DATE	