

SPECIFICATIONS

ELECTRICAL CHARACTERISTICS:

Contact Current Rating:3 Amperes.
 Dielectric Withstanding Voltage: AC 1000/60sec.r.m.s.
 Insulation Resistance:5000 Medohms Minimum.at DC 500V.
 Contact Resistance:25 Milliohms Maximum.
 Operating Temperature:-55°C to+105°C.

MECHANICAL CHARACTERISTICS:

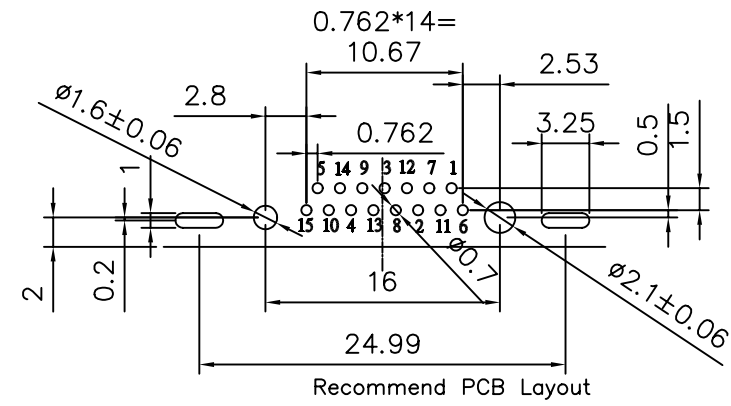
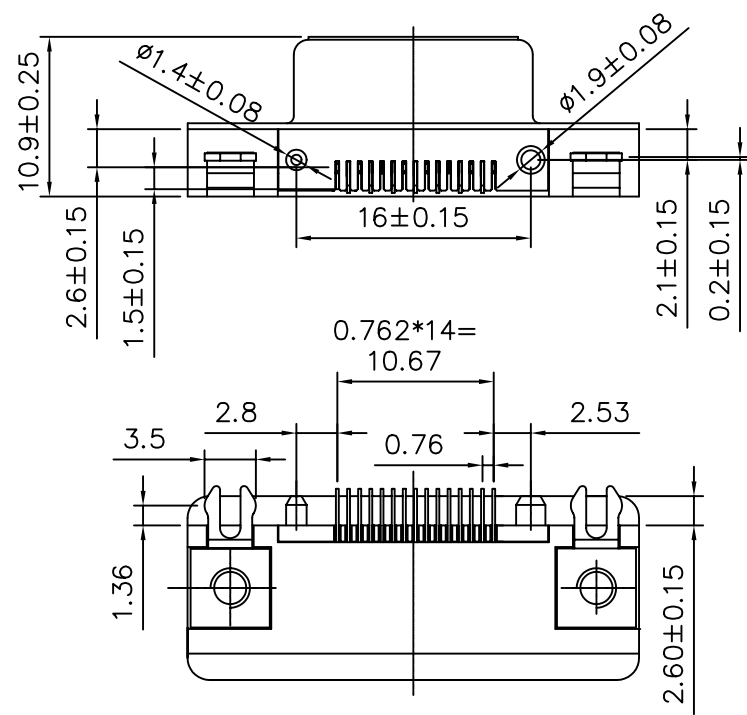
Contact Insertion Force:341 g.Maximum.
 Contact Separation Force:21 g.Minimum.

MATERIALS:

Contacts:Brass.
 Insulator: PBT UL 94V-0 Rated.
 Shell: Cold Roller Steel.

FINISHES:

Contact:Gold Flash.
 Shell:Nickel Plated.



4UCON 元化興業股份有限公司
 4UCON TECHNOLOGY INC.

DRAWING No.
 09771

APPROVED BY MEI
 CHECKED BY RAN
 DRAWING BY HZF

UNLESS OTHERWISE SPECIFIED
 TOLERANCES ARE
 .X ±0.25
 .XX ±0.13
 ANG. ±2°

SCALE NONE REV. A0

UNIT mm

AREA REVISIONS CHK DATE