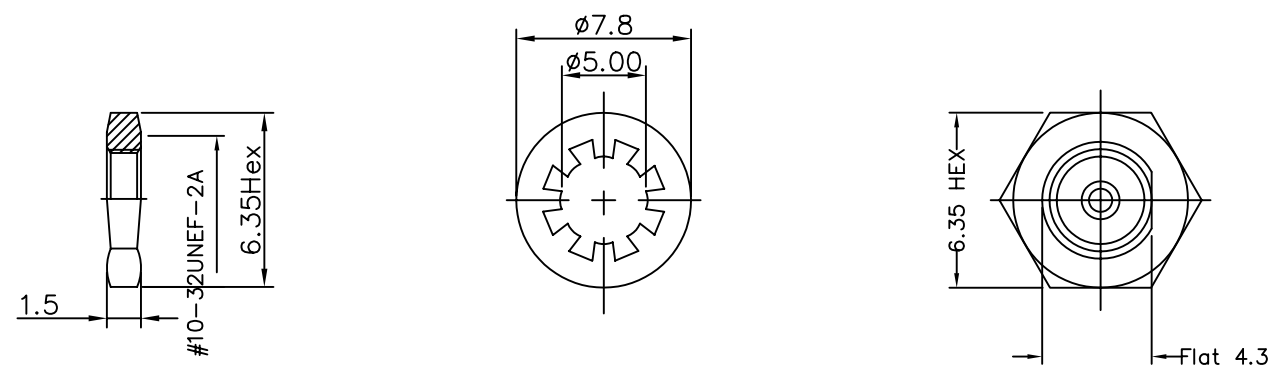


- SPECIFICATIONS**
- 1.Body : Brass,QQ-B-626
Gold Plated 3 Micro-Inches Min Thick Over Nickel
Plated 100Micro-Inches Min. Thick Over Copper Strike
 - 2.Insulator:Teflon MIL-P-19468
 - 3.Contact Pin : Brass,QQ-B-626
Gold Plated 3 Micro-Inches Min Thick Over Nickel
Plated 100Micro-Inches Min. Thick Over Copper Strike
 - 4.Washer : Brass,QQ-B-626
Gold Plated 3 Micro-Inches Min Thick Over Nickel
Plated 100Micro-Inches Min. Thick Over Copper Strike
 - 5.Nut : Brass,QQ-B-626
Gold Plated 3 Micro-Inches Min Thick Over Nickel
Plated 100Micro-Inches Min. Thick Over Copper Strike



4UCON 元化興業股份有限公司
4UCON TECHNOLOGY INC.

DRAWING No.		APPROVED BY		UNLESS OTHERWISE SPECIFIED TOLERANCES ARE .X .XX ± 0.20 ANG.
09821		MEI		
		BECKY		
		DRAWING BY		UNIT mm
		HZF		
SCALE	NONE	REV.	A0	

NO.	REV.	REVISIONS	MEI	DATE
△A0	A0	NEW RELEASE	CHK	