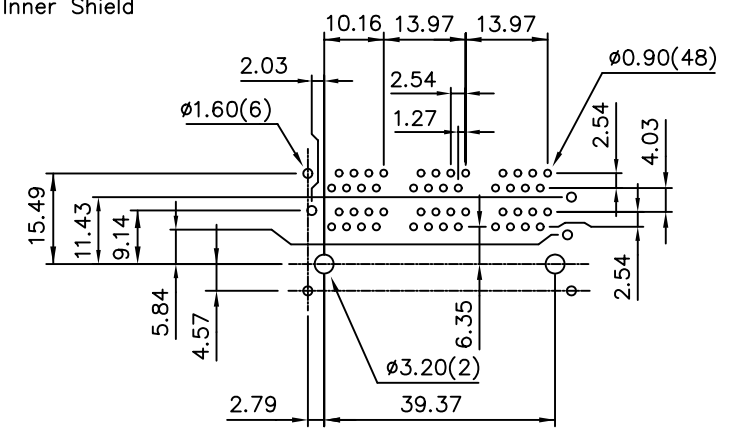
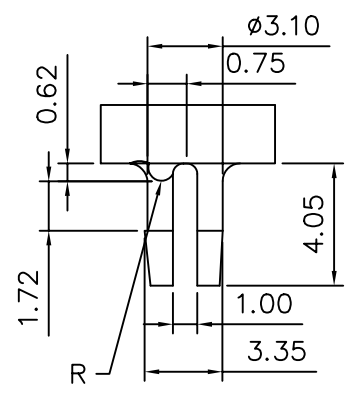
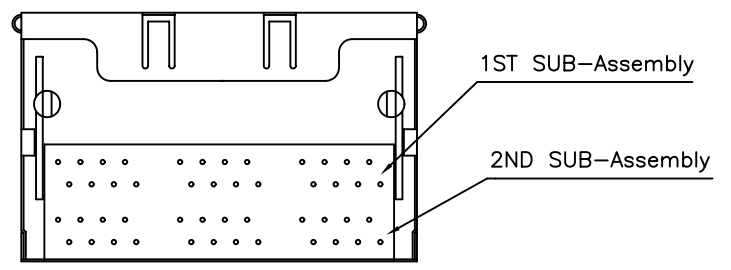
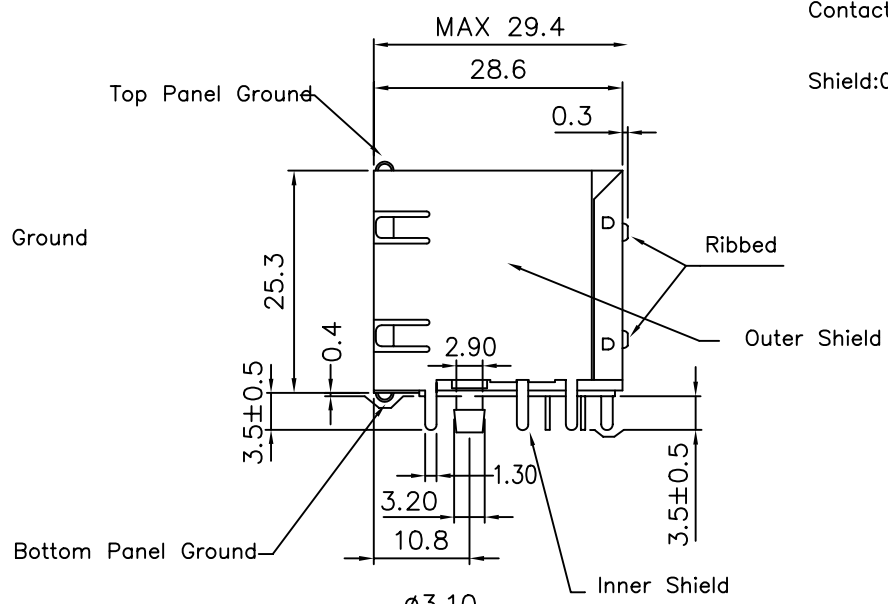
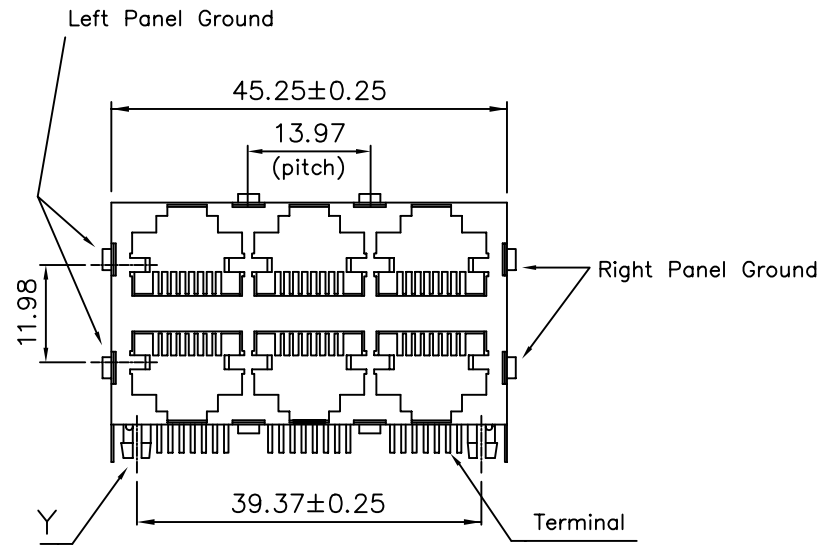


SPECIFICATIONS
 Housing: PBT Polyester UL 94V-0
 Mixed Glass Fiber, Black
 Contact: 0.35mm Thickness, Phosphor Bronze
 Plated With Hard Gold And
 Tin/Lead In Solder Area
 Shield: 0.25mm Thickness Copper Alloy
 Nickel Plated



4UCON 元化興業股份有限公司
 4UCON TECHNOLOGY INC.

DRAWING No.		APPROVED BY		UNLESS OTHERWISE SPECIFIED TOLERANCES ARE .X ± 0.25 .XX ± 0.10 .XXX ± 0.05
09851		MEI		
		RAN		
		DRAWING BY		
		HZF		
SCALE	NONE	REV.	A	UNIT mm

AREA	REVISIONS	CHK	DATE