

Specification

1.General Characteristics :

- . Contact Principle: Friction Technology
- . Mounting System : SMT
- . Durability 10,000 Cycles Min.

2. Material

- . Data Contacts Material : Phosphor Bronze
- . Data Contacts Plating : Gold Or Pd Over Nickel
- . Insulation Material : Thermoplastic UL 94V-0

3.Electrical Characteristics

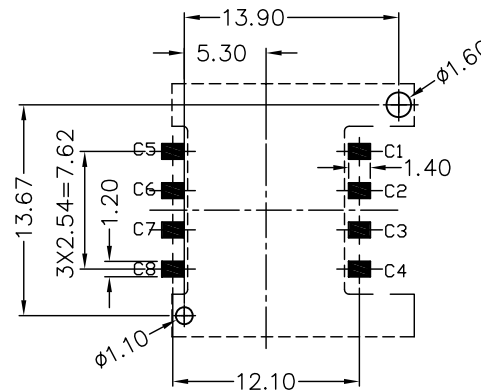
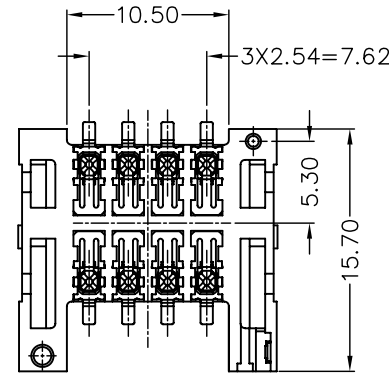
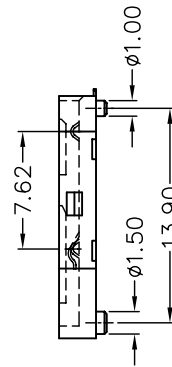
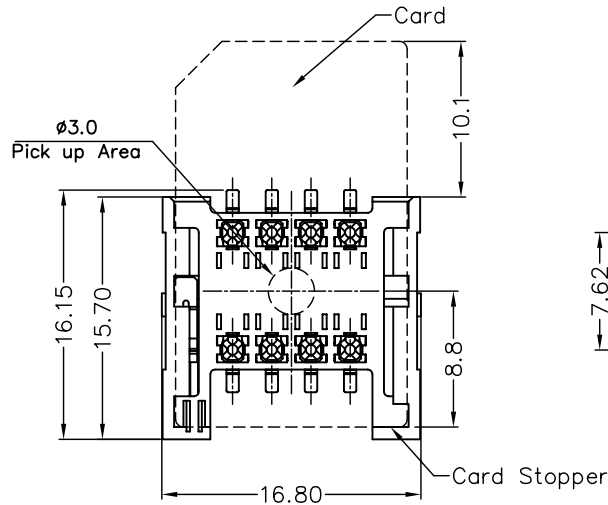
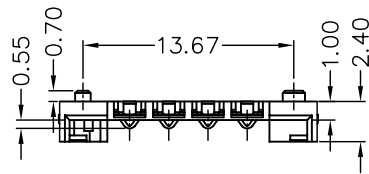
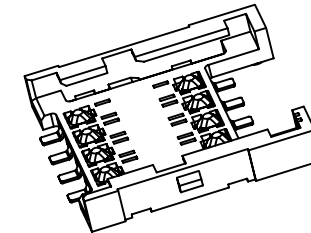
- . Contact Resistance: 50 Milliohms Max.
- . Insulator Resistance: >1000 Megohms/500V DC

4.Solderability

- . Wave : Not Applicable
- . Vapor phase : 215°C, 30 Sec. Max.
- . IR Reflow : 260°C, 15 Sec. Max.
- . Manual Soldering : 360°C, 3 Sec. Max.

5.Environmental Characteristics

- . Operating Temperature: -40°C~+85°C
- . Operating Humidity: 10%~95% RH
- . Storage Temperature : -40°C To +85°C
- . Storage Humidity: 10%~95% RH
- . RoHS Compliant



P.C.B LAYOUT(Tolerance: ±0.05mm)

4UCON 元化興業股份有限公司
4UCON TECHNOLOGY INC.

DRAWING No.

09907

APPROVED BY

MEI

CHECKED BY

LHC

DRAWING BY

XSH 1/04/2006

UNLESS OTHERWISE SPECIFIED

TOLERANCES ARE

.X ±0.38

.XX ±0.25

ANG. ±1°

SCALE

NONE

REV.

A0

UNIT

mm



NO. REV.

0

A0

NEW RELEASE REVISIONS

CHK

XSH 01/04-2006 DATE