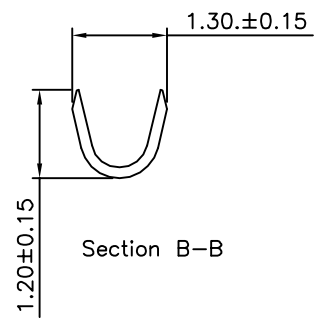
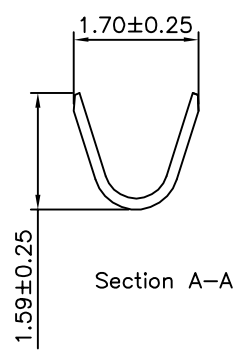
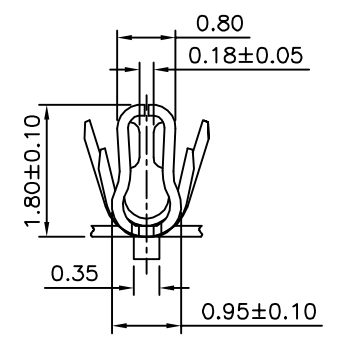
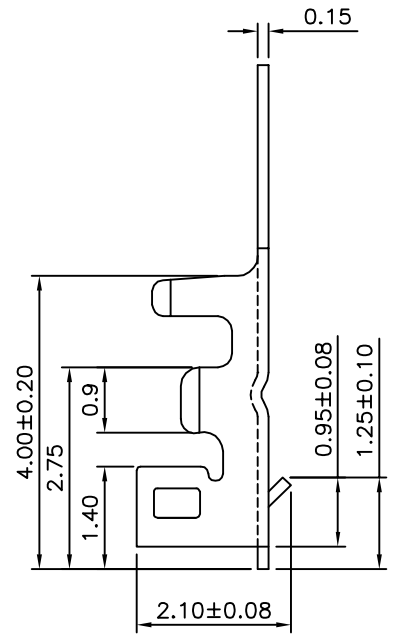
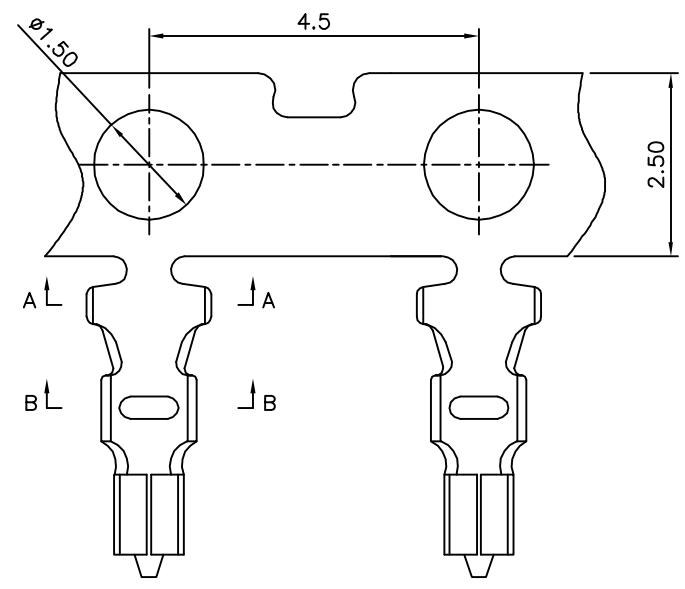


**SPECIFICATION**  
 Wire Range:AWG#28~#32  
 Insulation O.D.:0.80mm Max.  
 Material:Phosphor Bronze,Tin Plated Over Nickel  
 Stamping Before Plated  
 Reek Salt Test:12H Min.  
 Retention Force:1.0 kgf Min.  
 Insertion Force:0.3 kgf/Pin Max.  
 Extraction Force:0.1 kgf/Pin Min.  
 Q'ty:10000 PCS/Reel  
 RoHS Compliant



**4UCON** 元化興業股份有限公司  
 4UCON TECHNOLOGY INC.

DRAWING No.		APPROVED BY		UNLESS OTHERWISE SPECIFIED TOLERANCES ARE .X ±0.25 .X* ±2* .XX ±0.20 .XX* ±1* .XXX ±0.10					
09973		MEI							
		CHECKED BY							
		HZF							
		DRAWING BY							
		WSS							
SCALE	NONE	REV.	BO	UNIT	mm	△ BO	NEW RELEASE	HZF	09/28/2011
						NO.REV.	REVISIONS	CHK	DATE