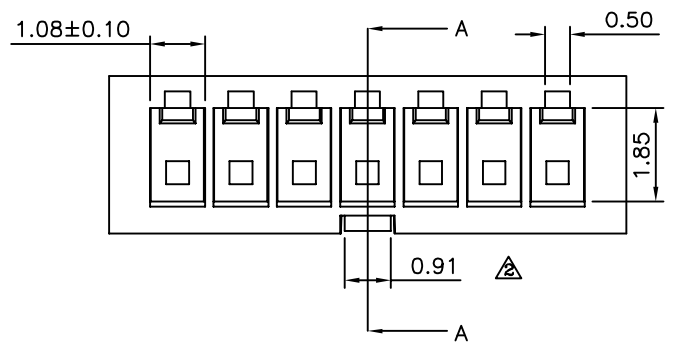
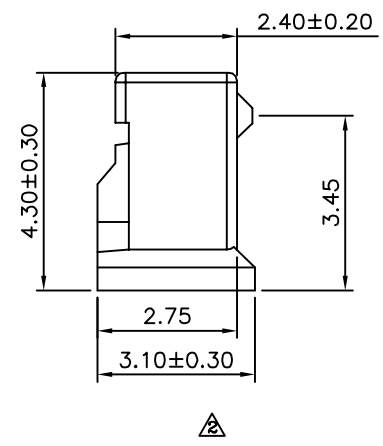
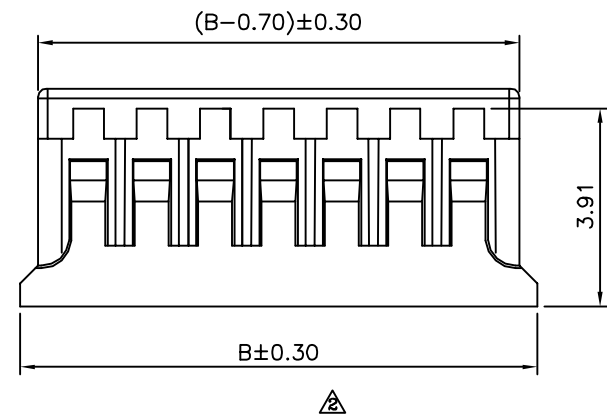
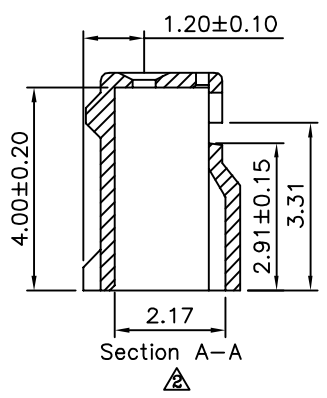
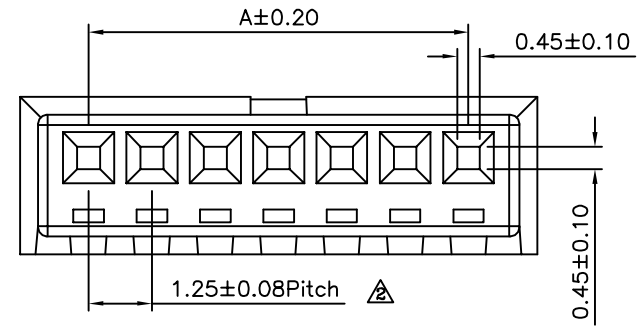


**△ △ SPECIFICATION**

Current Rating: 1.5A AC/DC  
 Voltage Rating: 100V AC/DC  
 Temperature Range: -25°C ~ +85°C  
 Contact Resistance: 20 Milliohms Max.  
 Insulation Resistance: 1000 Megaohms Min.  
 Withstanding Voltage: 800V AC/Minute  
 Insulator: PA66+15%G.F. UL94V-0, Brown  
 RoHS Compliant



Circuits	A	B
2	1.25	3.95
3	2.50	5.20
4	3.75	6.45
5	5.00	7.70
6	6.25	8.95
7	7.50	10.20
8	8.75	11.45
9	10.00	12.70
10	11.25	13.95
11	12.50	15.20
12	13.75	16.45
13	15.00	17.70
14	16.25	18.95
15	17.50	20.20

**4UCON** 元化興業股份有限公司  
 4UCON TECHNOLOGY INC.

DRAWING No.		APPROVED BY		UNLESS OTHERWISE SPECIFIED TOLERANCES ARE .X ±0.25 .XX ±0.20 .XXX ±0.10 .X ±1° .XX ±1°
09987		MEI		
		CHECKED BY	HZF	
		DRAWING BY	QQJ	
SCALE	NONE	REV.	A2	UNIT mm

NO.	REV.	REVISIONS	CHK	DATE
△ A2		Modify Data	HZF	02/08/2010
△ A1		Modify SPC	HZF	10/15/2008
△ A0		NEW RELEASE	BECKY	2004/09/24