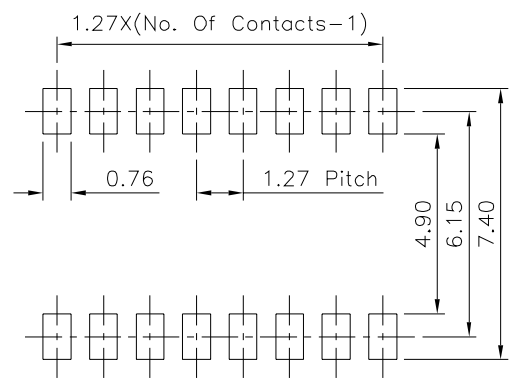
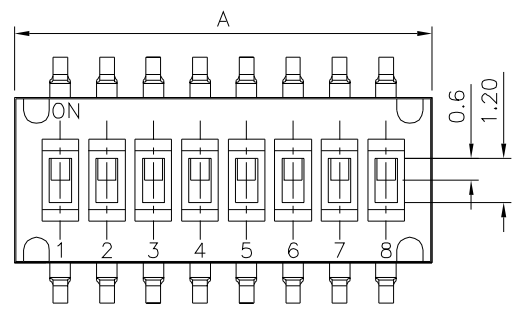
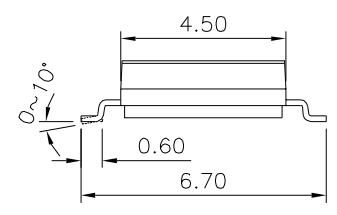
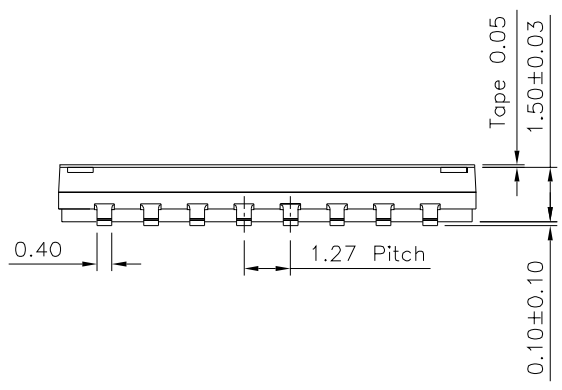


SPECIFICATION

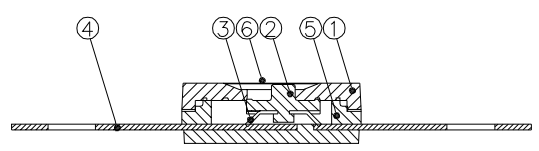
Current Range:
 Non-Switching:100mA 50V DC
 Switching:25mA 24V DC
 Dielectric Withstanding Voltage:300V AC For One Minute
 Contact Resistance:100 Milliohms Max.(Initial)
 Insulation Resistance:100 Megaohms Min.
 At 500V DC,60s±5s
 Operation Temperature Range:-40°C~+85°C
 Storage Temperature Range:-40°C~+85°C
 Capacitance:5pF Max. At 1 MHz±10 KHz
 RoHS Compliant



Recommended P.C.B. Layout



Pin	A
2	3.77
4	6.31
6	8.85
8	11.39
10	13.93



Item	Description	Q'ty	Material	Remark
①	Cover	1	HTN,UL94V-0	Black
②	Actuator		LCP,UL94V-0	White
③	Contact		Phosphor Bronze	Gold Plated Over Nickel
④	Terminal		Brass	Gold Plated Over Nickel
⑤	Base	1	HTN,UL94V-0	Black
⑥	Tape		Katpon	

4UCON 元化興業股份有限公司
 4UCON TECHNOLOGY INC.

DRAWING No.		APPROVED BY		UNLESS OTHERWISE SPECIFIED TOLERANCES ARE .X ±0.2 .XX ±0.2 .XXX ±0.2 ANG.
10159		MEI		
		CHECKED BY HZF		
DRAWING BY CYP		REV. B1		UNIT mm
SCALE	NONE	REV.	B1	

NO.	REV.	REVISIONS	CHK	DATE
△	B1	Modify Data	HZF	10/23/2018
△	B0	NEW RELEASE	HZF	01/22/2013