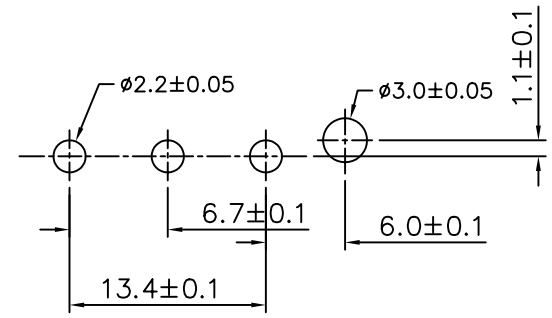
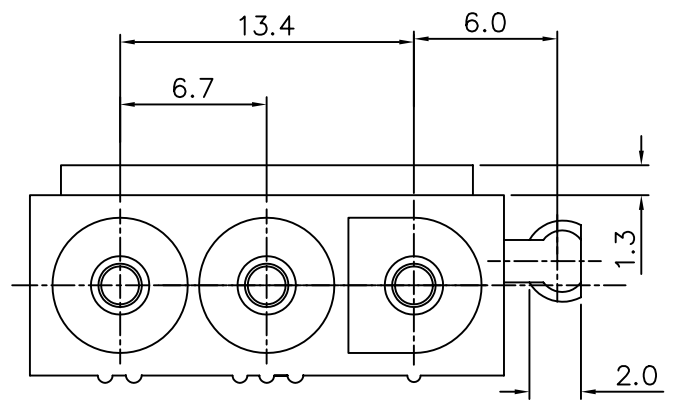
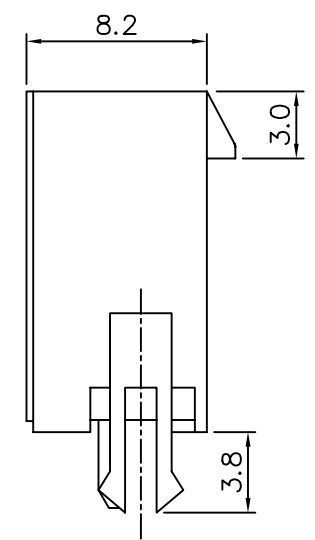
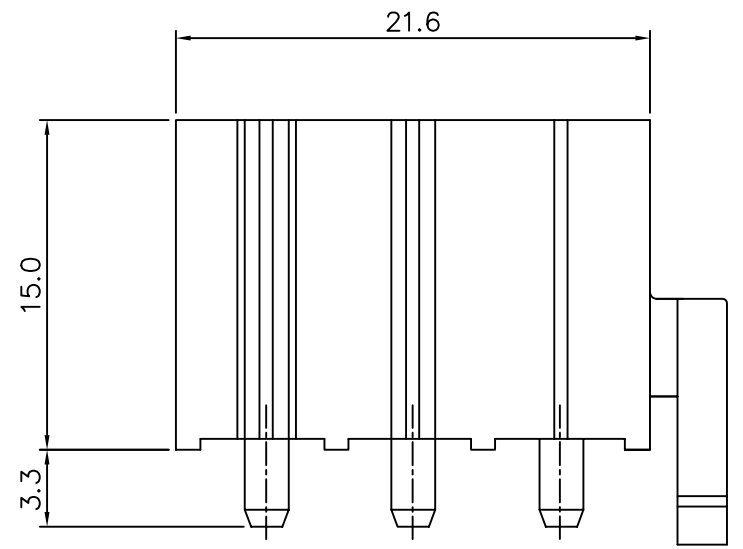


SPECIFICATIONS
 Current Rating: 11A AC ,DC
 Voltage Rating: 600V AC ,DC
 Dielectric Withstanding Voltage: 5000V AC RMS
 Ambient Temp.Range: -40°C~+105°C
 Housing:Nylon66,UL 94V-2,Nature
 Contact:Brass,Tin Plated



RECOMMENDED P.C.BOARD HOLE DIM.



4UCON 元化興業股份有限公司
 4UCON TECHNOLOGY INC.

DRAWING No.
 10377

APPROVED BY MEI
 CHECKED BY BECKY
 DRAWING BY HZF

UNLESS OTHERWISE SPECIFIED TOLERANCES ARE
 .X ±0.25
 .XX ±0.15
 .XXX ±0.05

SCALE NONE

REV. A0

UNIT mm

NO.	REV.	DESCRIPTION	CHK	DATE
A0		NEW RELEASE	MEI	
		REVISIONS		