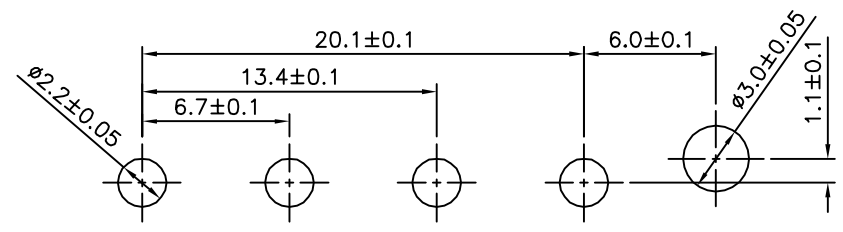
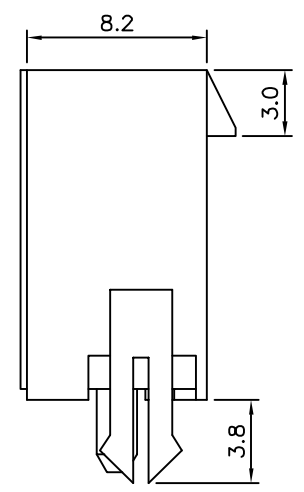
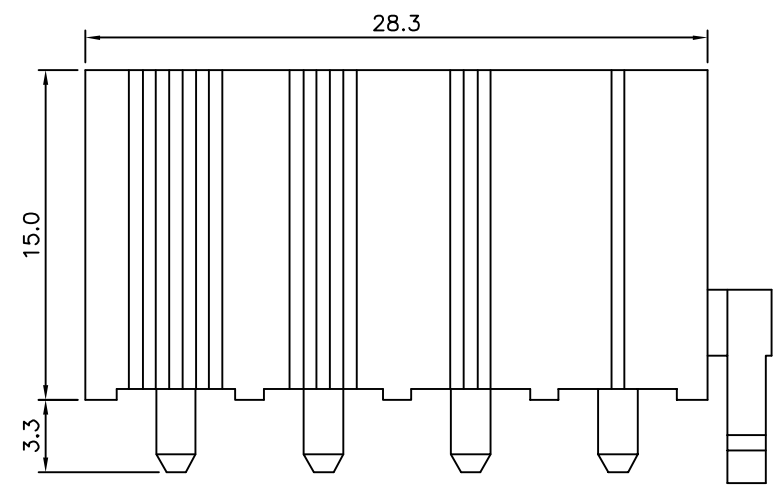
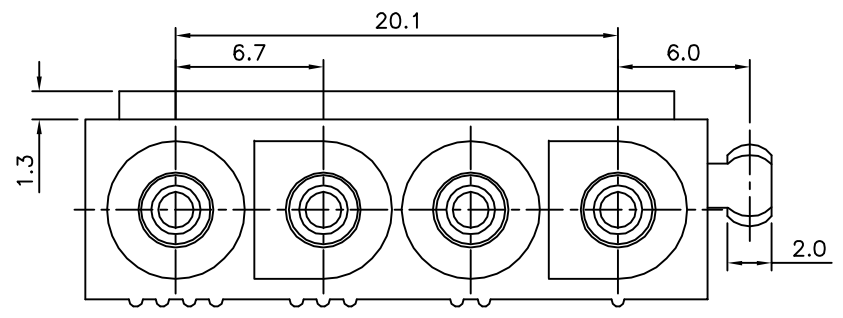


**SPECIFICATION**  
 Current Rating:9A AC/DC  
 Voltage Rating:600V AC/DC  
 Dielectric Withstanding Voltage:5000V AC RMS  
 Ambient Temperature Range:-40°C~+105°C  
 (Including Temperature Rise)  
 Housing:PA66(UL94V-2),Nature  
 Contact:Brass,Tin Plated  
 RoHS Compliant



Recommended P.C.B. Layout



**4UCON** 元化興業股份有限公司  
 4UCON TECHNOLOGY INC.

DRAWING No.		APPROVED BY		UNLESS OTHERWISE SPECIFIED TOLERANCES ARE .X ±0.25 .XX ±0.15 .XXX ±0.05
10378		EMILY		
		CHECKED BY		
		HZF		
		DRAWING BY		
		SONG		
SCALE	NONE	REV.	A1	UNIT
				mm

NO.	REV.	REVISIONS	CHK	DATE
△A1		Modify Data	HZF	12/17/2013
△A0		NEW RELEASE		