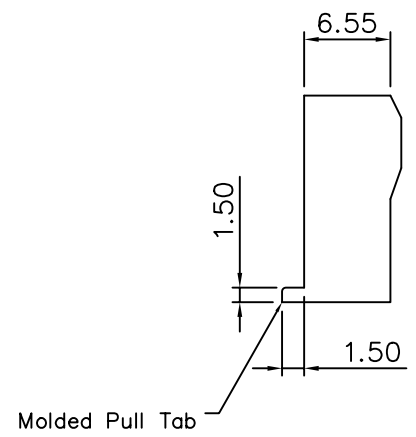
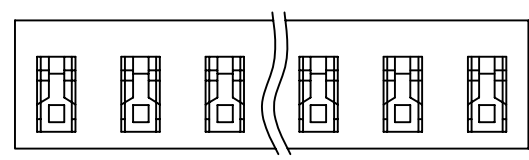
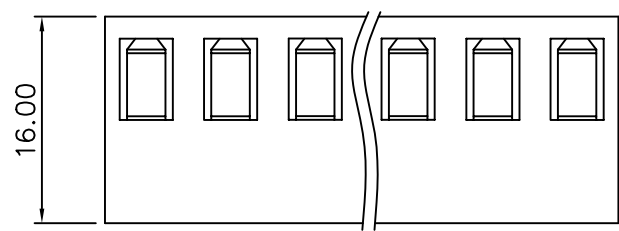
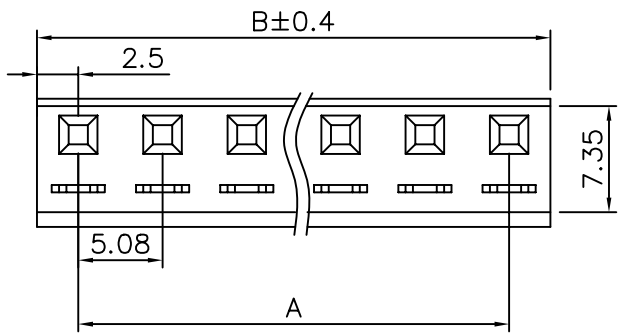


SPECIFICATIONS
 Current Rating: 7A Max.
 Voltage Rating: 250V AC, DC
 Withstanding Voltage: 1000V AC/Minute
 Insulation Resistance: 1000Megohms Min.
 Temperature Range: -40°C To +105°C
 (Including Temp.Rise)
 Insulator: Nylon 66, UL94V-2



| Circuits | Dim A | Dim B |
|----------|-------|-------|
| 2 | 5.08 | 10.33 |
| 3 | 10.16 | 15.41 |
| 4 | 15.24 | 20.49 |
| 5 | 20.32 | 25.57 |
| 6 | 25.40 | 30.65 |
| 7 | 30.48 | 35.73 |
| 8 | 35.56 | 40.81 |
| 9 | 40.64 | 45.89 |
| 10 | 45.72 | 50.97 |
| 11 | 50.80 | 56.05 |
| 12 | 55.88 | 61.13 |

4UCON 元化興業股份有限公司
 4UCON TECHNOLOGY INC.

DRAWING No.
 10487

APPROVED BY MEI
 CHECKED BY BECKY
 DRAWING BY HZF

UNLESS OTHERWISE SPECIFIED TOLERANCES ARE
 .X ±0.40
 .XX ±0.25
 .XXX ±0.08

SCALE NONE

REV. A0

UNIT mm

NO. REV.

A0 NEW RELEASE REVISIONS

MEI CHK DATE