

P.C.B EDGE

RECOMMENDED P.C.B LAYOUT

SPECIFICATIONS

ELECTRICAL CHARACTERISTICS:

Contact Current Rating: 3 Amperes.
 Dielectric Withstanding Voltage: AC 1000/60sec.r.m.s.
 Insulation Resistance: 5000 Megohms Minimum at DC 500V
 Contact Resistance: 25 Milliohms Maximum.
 Operating Temperature: -55°C to +105°C.

MECHANICAL CHARACTERISTICS:

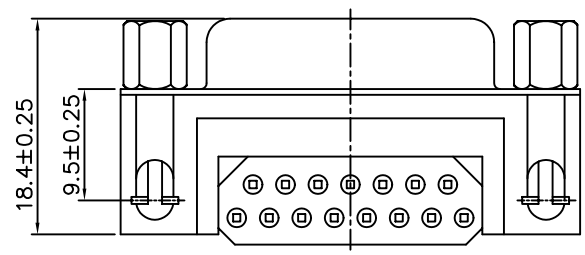
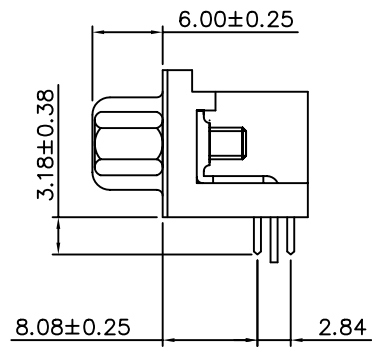
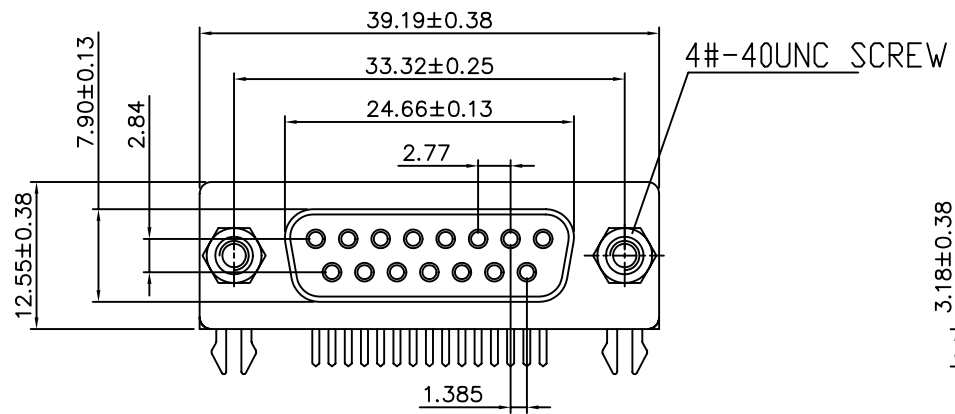
Contact Insertion Force: 341 g. Maximum.
 Contact Separation Force: 21 g. Minimum.

MATERIALS:

Contacts: Brass.
 Insulator: PBT UL 94V-0 Rated.
 Shell: Cold Roller Steel.

FINISHES:

Contact: Gold Flash.
 Shell: Nickel Plated.



4UCON 元化興業股份有限公司
 4UCON TECHNOLOGY INC.

DRAWING No. 10501

APPROVED BY MEI
 CHECKED BY BECKY
 DRAWING BY HZF

UNLESS OTHERWISE SPECIFIED TOLERANCES ARE
 .X ±0.25
 .XX ±0.13
 .ANG ±2°
 UNIT mm

SCALE NONE

REV. A0

NO.	REV.	REVISIONS	MEI	DATE
△A0	A0	NEW RELEASE	MEI	