

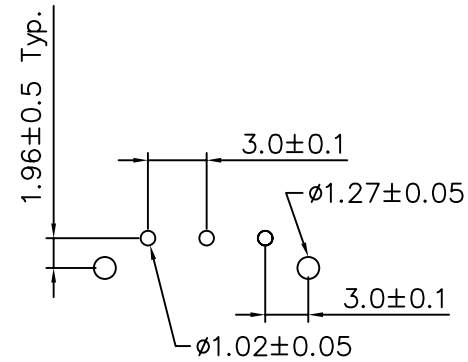
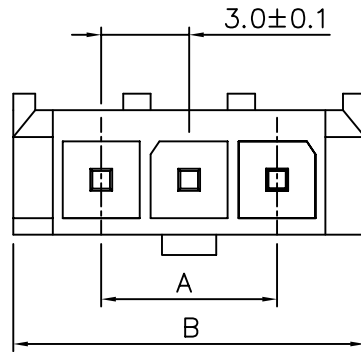
SPECIFICATIONS

Current Rating:

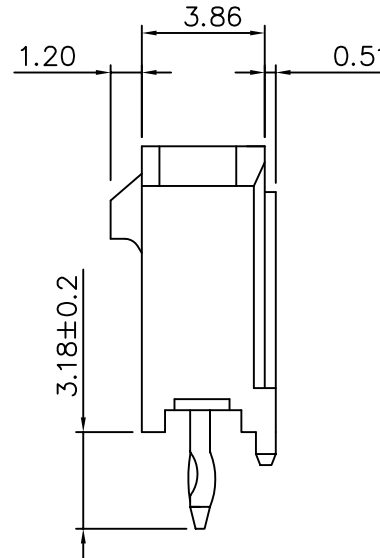
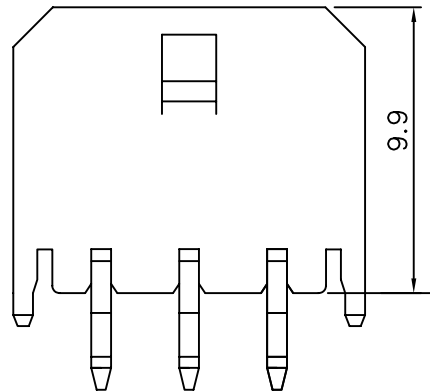
| | | | | | | |
|-----------|-----|-----|-----|-----|-----|-----|
| Wire Size | #20 | #22 | #24 | #26 | #28 | #30 |
| Amp(A) | 5 | 5 | 4 | 3 | 2 | 1 |

Voltage Rating:250V

Dielectric Strength:1500V AC/Minute
 Contact Resistance:10 Milliohms Max
 Temperature Rise:-40°C~+105°C Δ
 (Carry Rated Current Load)
 Insulator:Nylon 9T ,UL 94V-0,Black
 Contact:0.64SQ Pins,Brass,Tin Plated



PCB Layout:Component Side
 Recommended PCB Thickness:1.57mm



| Position | Dim A | Dim B |
|----------|-------|-------|
| 2 | 3.00 | 9.00 |
| 3 | 6.00 | 12.00 |
| 4 | 9.00 | 15.00 |
| 5 | 12.00 | 18.00 |
| 6 | 15.00 | 21.00 |
| 7 | 18.00 | 24.00 |
| 8 | 21.00 | 27.00 |
| 9 | 24.00 | 30.00 |
| 10 | 27.00 | 33.00 |
| 11 | 30.00 | 36.00 |
| 12 | 33.00 | 39.00 |

4UCON 元化興業股份有限公司
 4UCON TECHNOLOGY INC.

DRAWING No.
 10521

APPROVED BY MEI
 CHECKED BY BECKY
 DRAWING BY HZF

UNLESS OTHERWISE SPECIFIED
 TOLERANCES ARE
 .X ±0.25
 .XX ±0.15
 .XXX ±0.05

SCALE NONE

REV. A1

UNIT mm

A1 30°C Max. → -40°C~+105°C BECKY 2004/09/02

A0 NEW RELEASE MEI

NO. REV. REVISIONS CHK DATE