

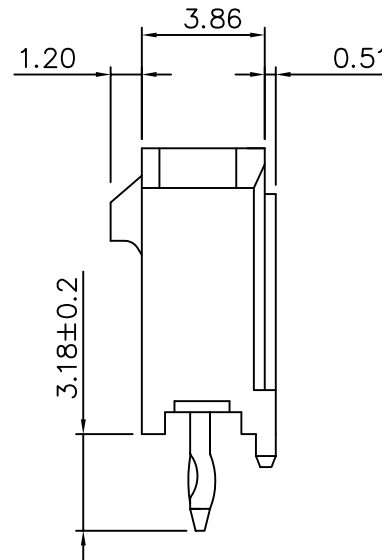
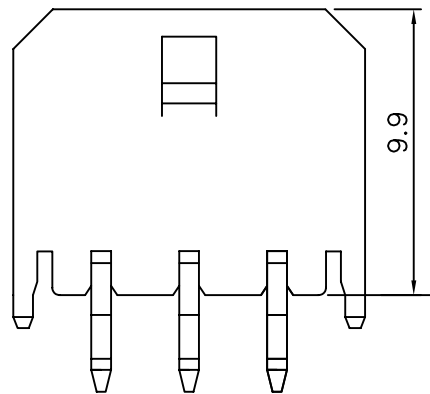
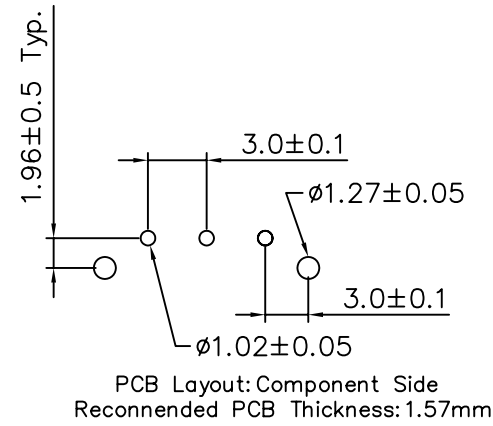
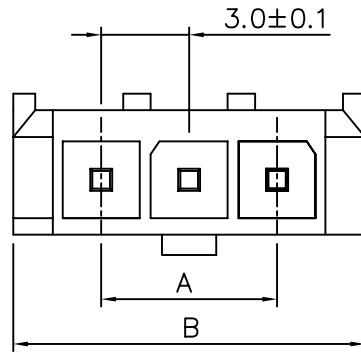
SPECIFICATIONS

Current Rating:

Wire Size	#20	#22	#24	#26	#28	#30
Amp(A)	5	5	4	3	2	1

Voltage Rating:250V

Dielectric Strength:1500V AC/Minute
 Contact Resistance:10 Milliohms Max
 Temperature Rise:-40°C~+105°C Δ
 (Carry Rated Current Load)
 Insulator:Nylon 9T ,UL 94V-0,Black
 Contact:0.64SQ Pins,Brass,Tin Plated



Position	Dim A	Dim B
2	3.00	9.00
3	6.00	12.00
4	9.00	15.00
5	12.00	18.00
6	15.00	21.00
7	18.00	24.00
8	21.00	27.00
9	24.00	30.00
10	27.00	33.00
11	30.00	36.00
12	33.00	39.00

4UCON 元化興業股份有限公司
 4UCON TECHNOLOGY INC.

DRAWING No.
 10523

APPROVED BY MEI
 CHECKED BY BECKY
 DRAWING BY HZF

UNLESS OTHERWISE SPECIFIED
 TOLERANCES ARE
 .X ±0.25
 .XX ±0.15
 .XXX ±0.05

SCALE NONE

REV. A1

UNIT mm

NO.	REV.	DESCRIPTION	CHK	DATE
1	A1	30°C Max. → -40°C~+105°C	BECKY	2004/09/02
0	A0	NEW RELEASE	MEI	