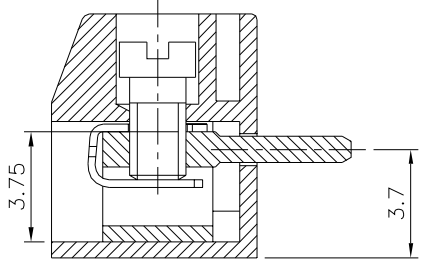
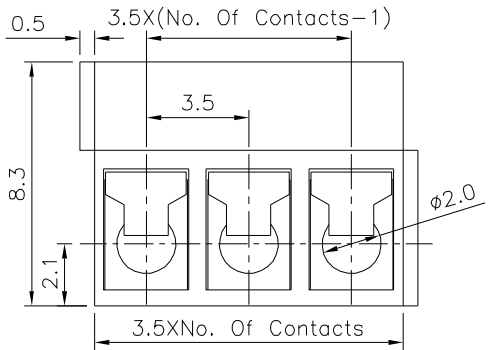
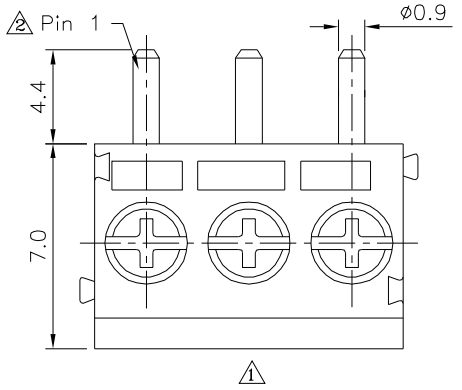


Recommended P.C.B. Layout



**△ SPECIFICATION**

- Voltage Rating:150V AC
- Current Rating:10 Amps/Way Max.
- Contact Resistance:20 Milliohms Max.
- Withstanding Voltage:2000V AC(1 Minute)
- Test Time=60 Sec/1 PCS
- Wire Range:16~30 AWG
- Torque:2.0 Kgf.cm/M2
- Operation Temperature:-40°C~+105°C
- Soldering Reliability:
- Test Temperature=250°C±10°C/5Seconds Max.
- Terminal:Copper Alloy,Tin Plated
- Screw:Steel,Galvanized With Cr3+ Plated
- Wire Guard:Stainless Steel
- △ Insulator Body(Housing):Polyamide.(UL94V-0),Blue
- RoHS Compliant

**4UCON** 元化興業股份有限公司  
4UCON TECHNOLOGY INC.

DRAWING No. <b>10693</b>		APPROVED BY MEI		UNLESS OTHERWISE SPECIFIED TOLERANCES ARE X. ±0.50 .X ±0.30 .XX ±0.20 X° ±1°	NO. REV.	REVISIONS	CHK	DATE
		CHECKED BY HZF						
		DRAWING BY CYP						
SCALE	NONE	REV.	A2	UNIT mm				

△ A2	Modify Data	HZF	12/10/2019
△ A1	Modify Data	HZF	12/16/2014
△ A0	NEW RELEASE	HZF	06/05/2011