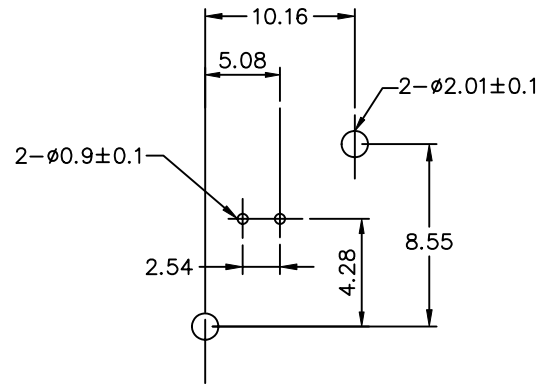


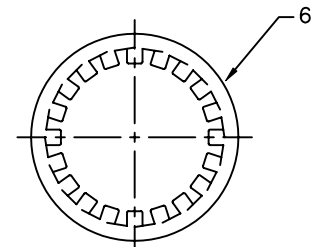
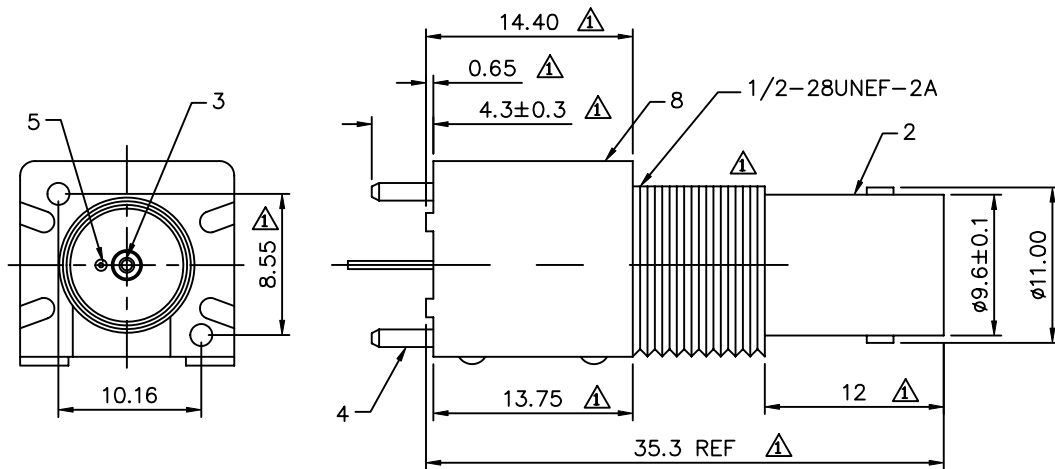
Recommended Mounting Hole
Max., Panel Thickness: 5.5mm



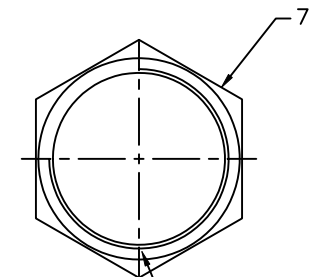
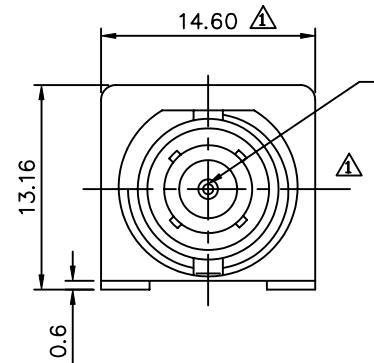
Recommended PC Board Layout

SPECIFICATION

- 50 Ohms BNC Vertical PCB/Panel Mount Jack
- 1.Center Contact: Bronze,Gold Plating
- 2.Body: Zinc Alloy,Nickel Plating
- 3.Insulator: PE-606
- 4.Mounting Post: Bronze,Tin Plating
- 5.Solder Tail: Copper Wire,Tin Plating
- 6.Washer: Steel,Nickel Plating
- 7.Nut: Brass,Nickel Plating
- 8.Housing: PBT (UL 94V-0),Color: Black
- RoHS Compliant



Washer



1/2-28UNEF-2B

4UCON 元化興業股份有限公司
4UCON TECHNOLOGY INC.

DRAWING No.

10900

APPROVED BY

MEI

CHECKED BY

HZF

DRAWING BY

HYY

UNLESS OTHERWISE SPECIFIED TOLERANCES ARE

X. ±0.5

.X ±0.3

.XX ±0.2

SCALE

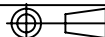
NONE

REV.

A1

UNIT

mm



NO. REV.

REVISIONS

CHK

DATE

△ A1	Modify Data	HZF	12/11/2008
△ A0	NEW RELEASE		