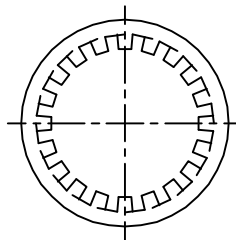
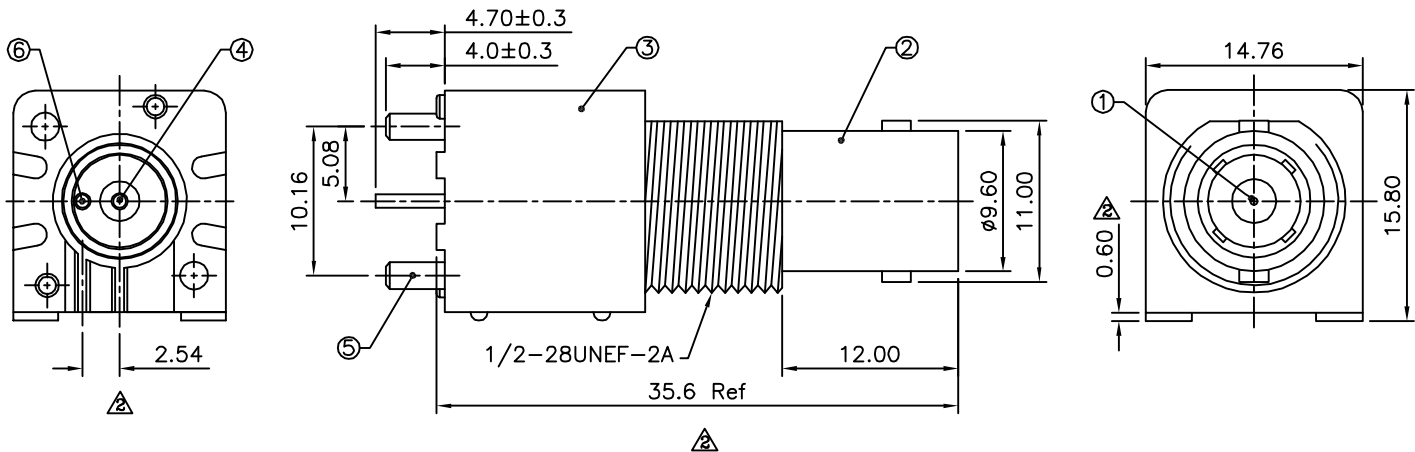
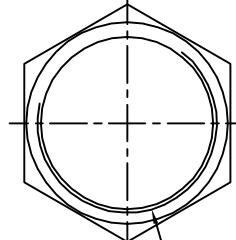


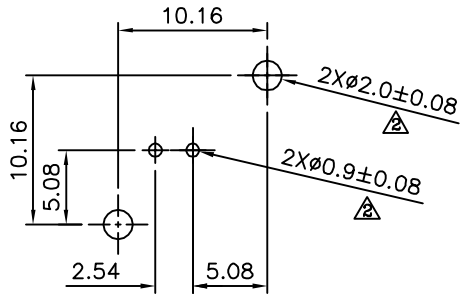
- △ SPECIFICATION**
 ① Center Contact: Phosphor Bronze, Gold Plated
 ② Body: Zinc Alloy, Nickel Plated
 △ ③ Housing: PBT (UL94V-0), White
 ④ Insulator: PE-606
 ⑤ Mounting Post: Iron, Tin Plated
 ⑥ Solder Tail: Copper Wire, Tin Plated
 ⑦ Washer: Steel, Nickel Plated
 ⑧ Nut: Brass, Nickel Plated
 RoHS Compliant



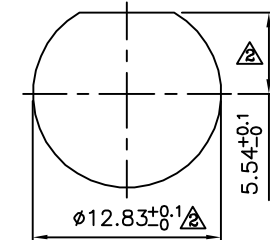
△ ⑦ Lock Washer



⑧ Clamp Nut



Recommended P.C. Board Layout Without Mounting Posts



Recommended Mounting Hole Maximum Panel Thickness: 5.5mm

4UCON 元化興業股份有限公司
 4UCON TECHNOLOGY INC.

DRAWING No.		APPROVED BY		UNLESS OTHERWISE SPECIFIED TOLERANCES ARE X. ±0.5 △ .X ±0.3 .XX ±0.2 ANG. ±3°
10907		EMILY		
		CHECKED BY		
		HZF		
		DRAWING BY		
		WZL		
SCALE	NONE	REV.	A2	UNIT
				mm

NO.	REV.	REVISIONS	CHK	DATE
△ A2		Modify Data	HZF	04/13/2011
△ A1		Modify Data	HZF	05/06/2009
△ A0		NEW RELEASE		