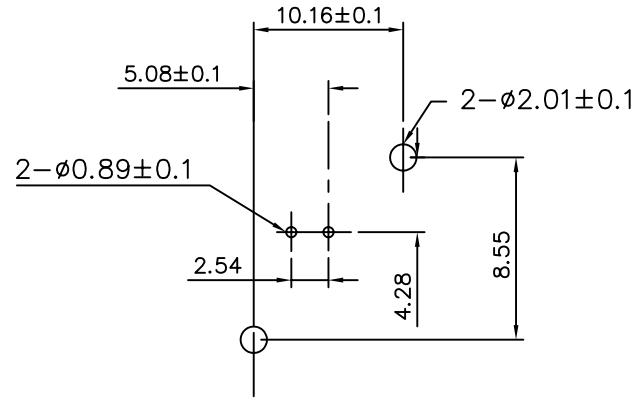


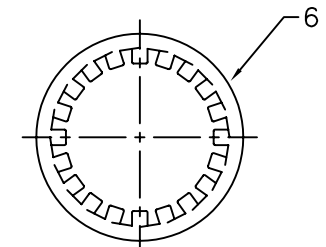
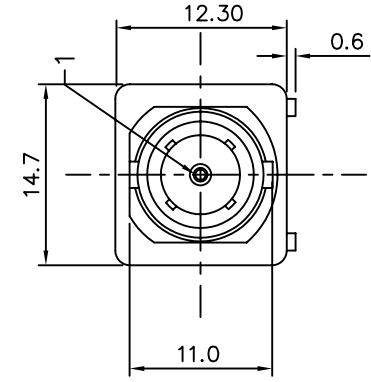
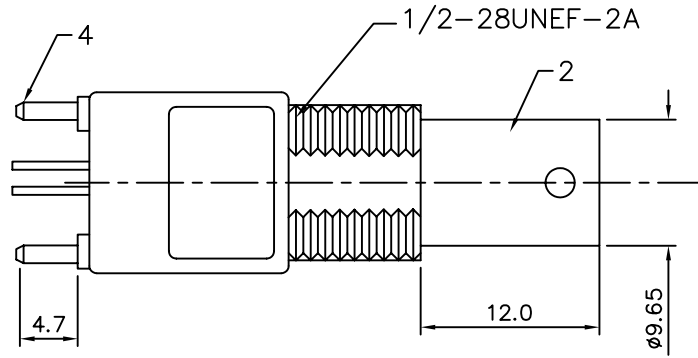
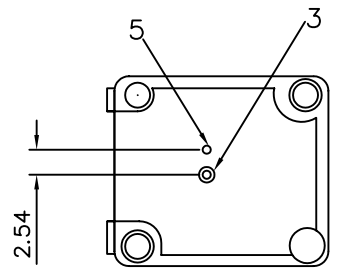
Recommended Mounting Hole
Max. Panel Thickness: 5.5mm



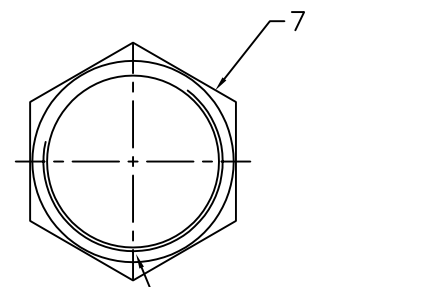
Recommended P.C. Board Layout
Without Mounting Posts

SPECIFICATIONS :

- 50 Ohms BNC Vertical PCB Mount Jack
- 1.Center Contact: Bronze,Gold Plated
- 2.Body: Zinc Alloy,Nickel Plated
- 3.Insulator: PE-606
- 4.Mounting Post:Bronze,Tin Plated
- 5.Solder Tail: Copper Wire,Tin Plated
- 6.Washer : Steel,Nickel Plated
- 7.Nut: Brass,Nickel Plated



Lock Washer



1/2-28UNEF-2B
Clamp Nut

4UCON 元化興業股份有限公司
4UCON TECHNOLOGY INC.

DRAWING No.
10909

APPROVED BY MEI
CHECKED BY BECKY
DRAWING BY HZF

UNLESS OTHERWISE SPECIFIED
TOLERANCES ARE
X. ±0.5
.X ±0.3
.XX ±0.2

SCALE NONE

REV. A0

UNIT mm

NO. REV.

A0 NEW RELEASE

BECKY
CHK DATE

REVISIONS