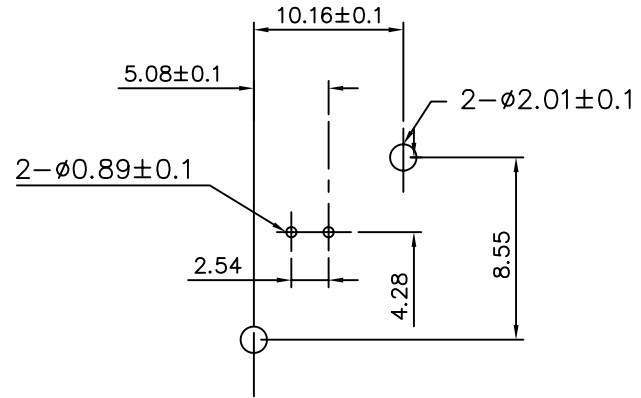
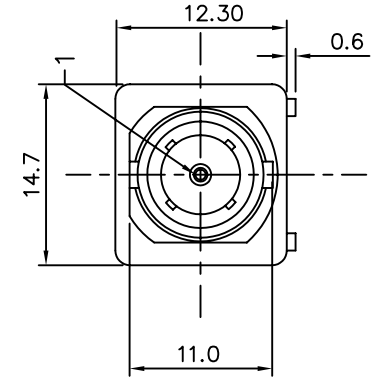
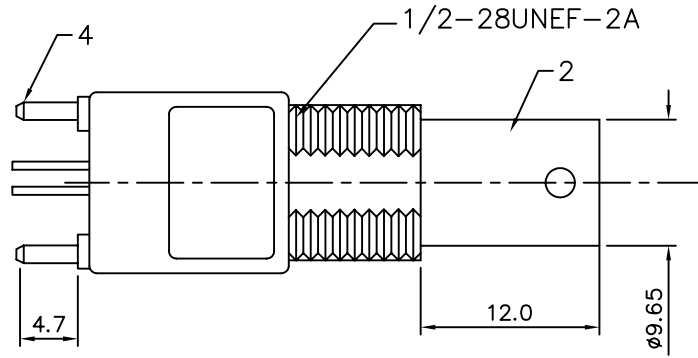
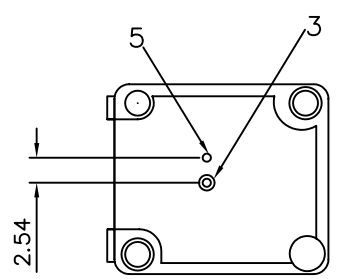


Recommended Mounting Hole
Max. Panel Thickness: 5.5mm



Recommended P.C. Board Layout
Without Mounting Posts

- SPECIFICATIONS :**
- 50 Ohms BNC Vertical PCB Mount Jack
 - 1.Center Contact: Bronze,Gold Plated
 - 2.Body: Zinc Alloy,Nickel Plated
 - 3.Insulator: PE-606
 - 4.Mounting Post: Bronze,Tin Plated
 - 5.Solder Tail: Copper Wire,Tin Plated



4UCON 元化興業股份有限公司
4UCON TECHNOLOGY INC.

DRAWING No.
10910

APPROVED BY MEI
CHECKED BY BECKY
DRAWING BY HZF

UNLESS OTHERWISE SPECIFIED
TOLERANCES ARE
X. ±0.5
.X ±0.3
.XX ±0.2

SCALE NONE REV. A1 UNIT mm

NO.	REV.	REVISIONS	CHK	DATE
△	A1	Modify Data	BECKY	2004/08/09
△	A0	NEW RELEASE		