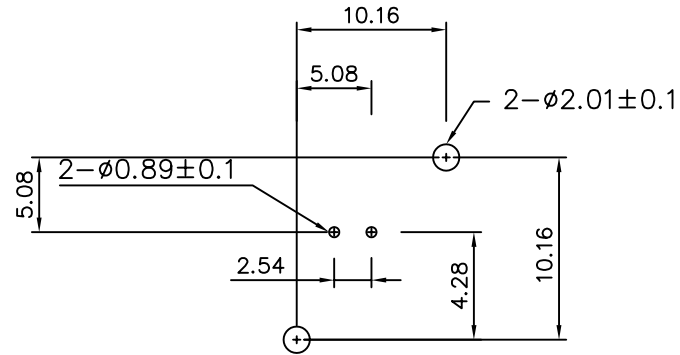


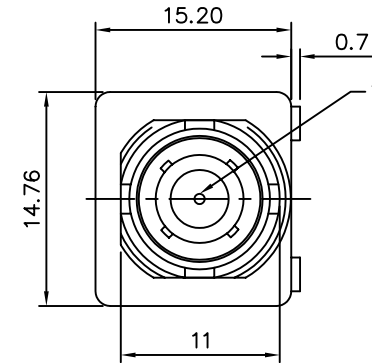
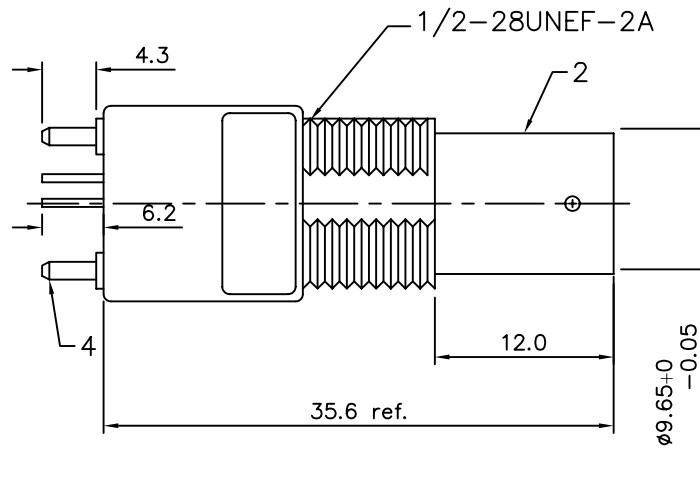
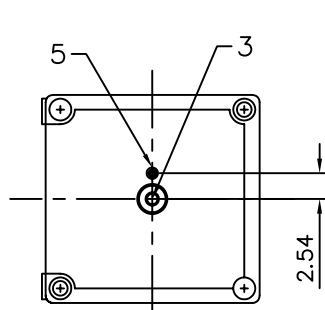
Recommended Mounting Hole
 Max. Panel Thickness: 5.5mm



Recommended P.C. Board Layout
 Without Mounting Posts

SPECIFICATIONS :

- 75 Ohms BNC Vertical PCB Mount Jack
- 1.Center Contact: Bronze,Gold Plated
- 2.Body: Zinc Alloy,Nickel Plated
- 3.Insulator: PE-606
- 4.Mounting Post: Bronze,Tin Plated
- 5.Solder Tail: Copper Wire,Tin Plated



4UCON 元化興業股份有限公司
 4UCON TECHNOLOGY INC.

DRAWING No.
 10912

APPROVED BY MEI
 CHECKED BY BECKY
 DRAWING BY HZF

UNLESS OTHERWISE SPECIFIED TOLERANCES ARE
 X. ±0.5
 .X ±0.3
 .XX ±0.2

SCALE NONE

REV. A2

UNIT mm

NO.	REV.	REVISIONS	CHK	DATE
△	A2	Modify Data	BECKY	2004/08/09
△	A1	Max. Panel Thickness:0.5→5.5	BECKY	2004/05/28
△	A1	Modify Data	BECKY	2004/05/28
△	A0	NEW RELEASE		