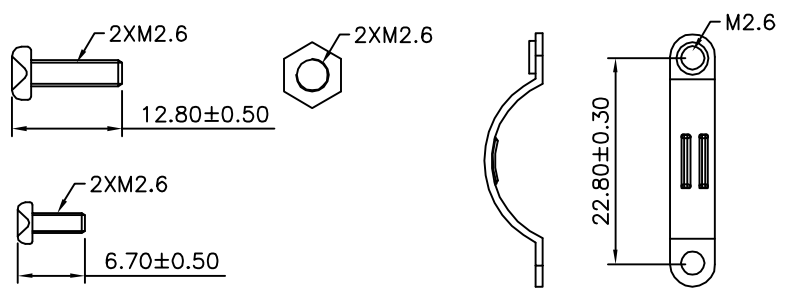
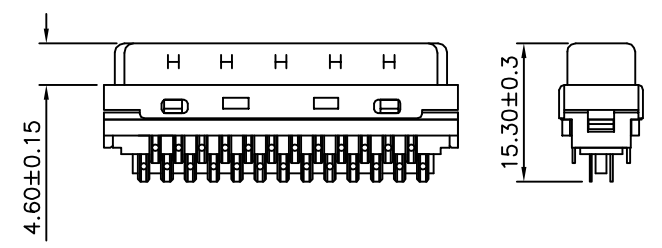
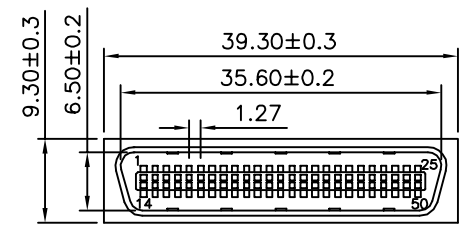
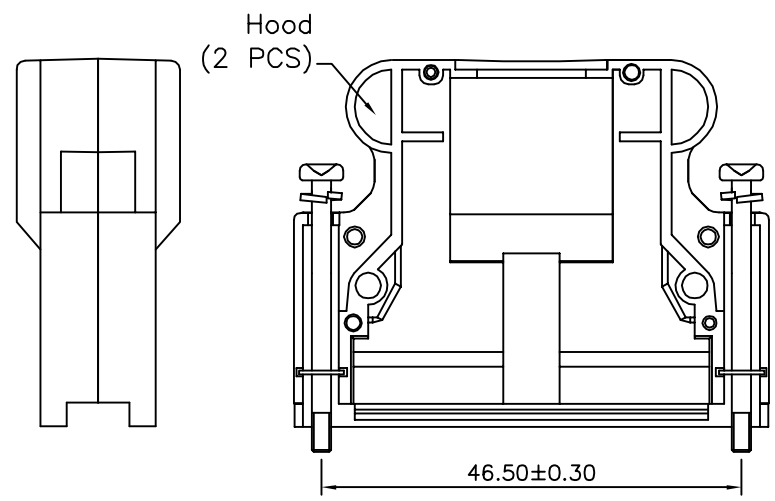
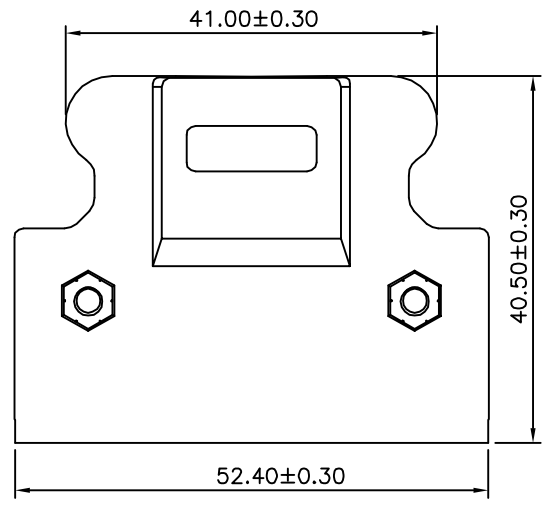


**SPECIFICATION**  
 Contact Current Rating: 0.5 Amp  
 Withstand Voltage: 500V AC  
 Contact Resistance: 35 Milliohms Max.  
 Insulation Resistance: >500 Megaohms Min.  
 Operation Temperature: -55°C ~ +85°C  
 Insulator: PBT (UL94V-0), Black  
 Contact: Phosphor Bronze  
 Selective Gold Plated 5u" Over Nickel  
 Front Shell: Steel, Nickel Plated Over Copper  
 Hood: PBT (UL94V-0)  
 Jackscrews: Steel, Nickel Plated Over Copper  
 Hex Nuts: Steel, Nickel Plated Over Copper  
 Cable Clipper: Steel, Nickel Plated Over Copper  
 Screws: Steel, Nickel Plated Over Copper  
 RoHS Compliant



**4UCON** 元化興業股份有限公司  
 4UCON TECHNOLOGY INC.

|             |      |             |    |  |
|-------------|------|-------------|----|--|
| DRAWING No. |      | APPROVED BY |    | UNLESS OTHERWISE SPECIFIED TOLERANCES ARE<br>.X ±0.38<br>.XX ±0.25<br>ANG. |
| 10954       |      | MEI         |    |  |
|             |      | HZF         |    |  |
|             |      | DRAWING BY  |    |  |
|             |      | HAO         |    |  |
| SCALE       | NONE | REV.        | AO | UNIT mm  |

|     |      |             |     |            |
|-----|------|-------------|-----|------------|
| NO. | REV. | REVISIONS   | CHK | DATE       |
| AO  |      | NEW RELEASE | HZF | 08/16/2015 |