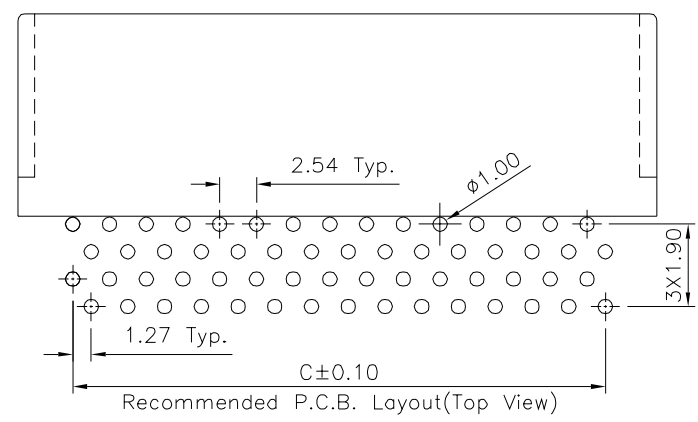
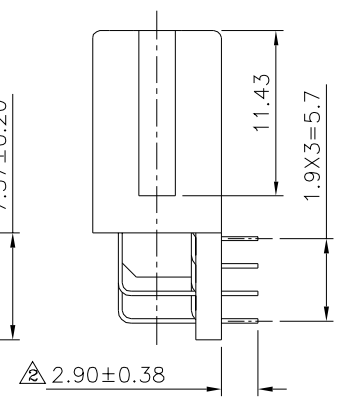
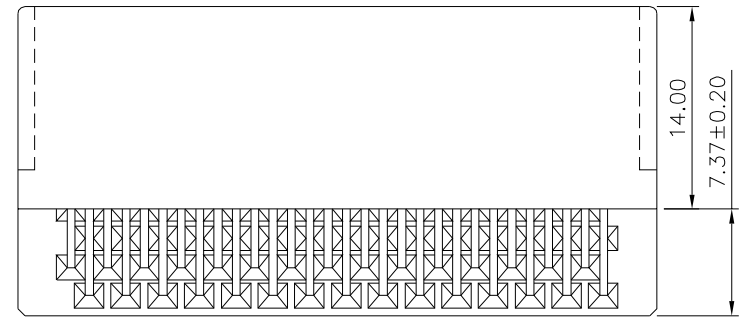
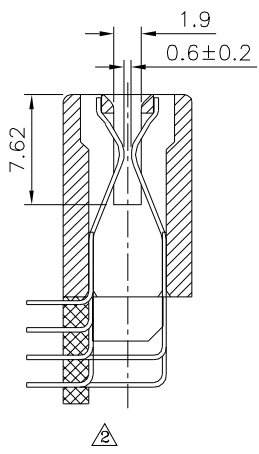
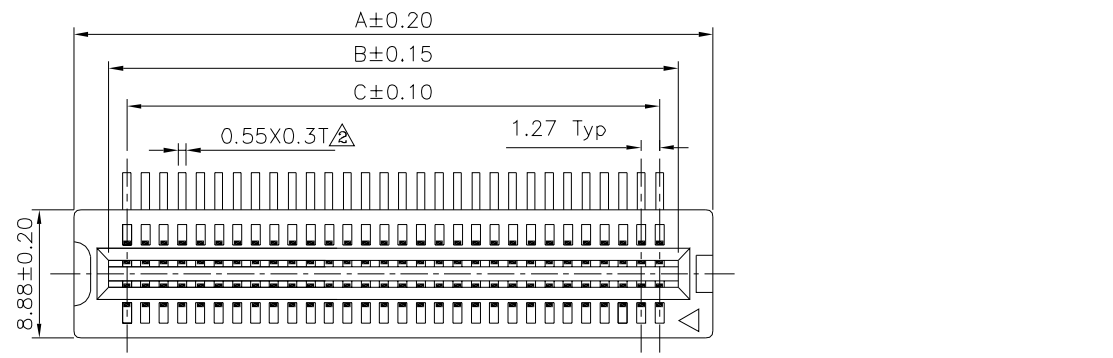


△ SPECIFICATION
 Current Rating: 1 Amp
 Voltage Rating: 250V AC RMS
 Dielectric Withstanding Voltage: 500V AC RMS 60Hz
 For 1 Minute
 Contact Resistance: 30 Milliohms Max. At 1 Amp DC
 Insulation Resistance: 1000 Megohms Min.
 At 500V DC
 Temperature Range: -55°C ~ +85°C
 Insulator: PA66+G.F.
 Contact: Brass
 Gold Flash On Contact Area, Tin Plated
 On Solder Tails, Over Nickel
 RoHS Compliant



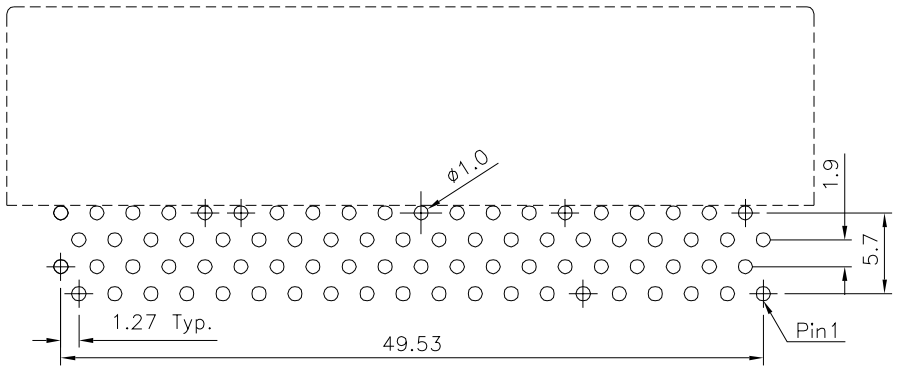
Pin	A	B	C	Pin	A	B	C
04	8.64	3.81	1.27	32	26.42	21.59	19.05
06	9.91	5.08	2.54	34	27.69	22.86	20.32
08	11.18	6.35	3.81	36	28.96	24.13	21.59
*10	12.45	7.62	5.08	38	30.23	25.40	22.86
12	13.72	8.89	6.35	42	32.77	27.94	25.40
14	14.99	10.16	7.62	44	34.04	29.21	26.67
16	16.26	11.43	8.89	46	35.31	30.48	27.94
18	17.53	12.70	10.16	48	36.58	31.75	29.21
*20	18.80	13.97	11.43	52	39.12	34.29	31.75
*22	20.07	15.24	12.70	54	40.39	35.56	33.02
*24	21.34	16.51	13.97	56	41.66	36.83	34.29
26	22.61	17.78	15.24	58	42.93	38.10	35.56
28	23.88	19.05	16.51	100	69.60	64.77	62.23
*30	25.15	20.32	17.78	*120	82.30	77.47	74.93

The Mark Of "*" Are Tooled Ready

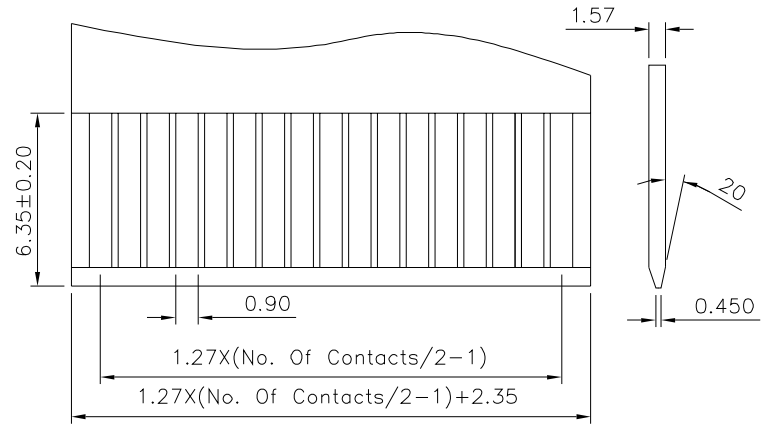
4UCON 元化興業股份有限公司
 4UCON TECHNOLOGY INC.

DRAWING No. 11067
 APPROVED BY MEI
 CHECKED BY HZF
 DRAWING BY CYP
 UNLESS OTHERWISE SPECIFIED TOLERANCES ARE
 X. ±0.20
 .X ±0.15
 .XX ±0.10
 .XXX ±0.05
 UNIT mm

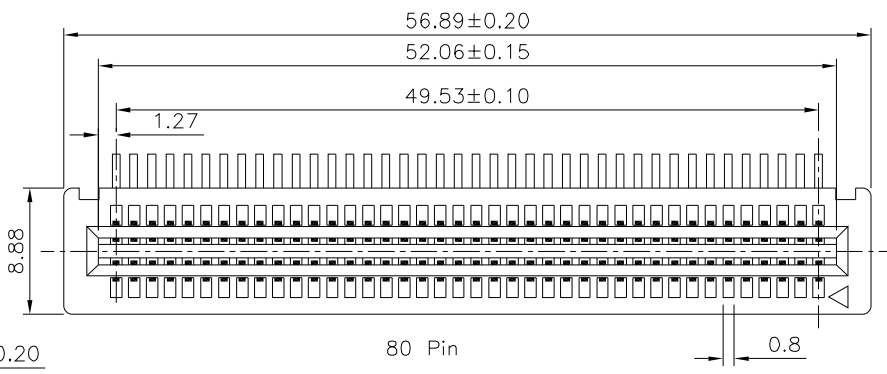
NO.	REV.	REVISIONS	CHK	DATE
△ B4		Modify Data	HZF	09/23/2022
△ B3		Modify Data	HZF	01/30/2019
△ B2		Modify Data	HZF	01/17/2019
△ B1		Modify Data	HZF	11/07/2015
△ B0		NEW RELEASE	HZF	09/08/2014



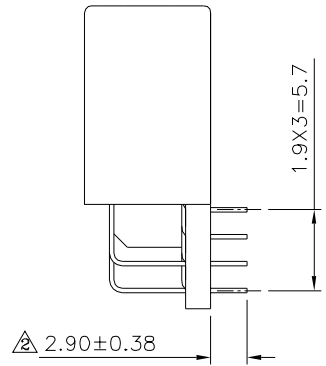
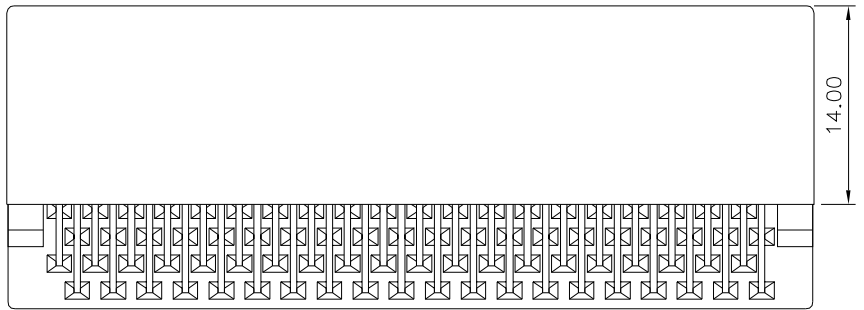
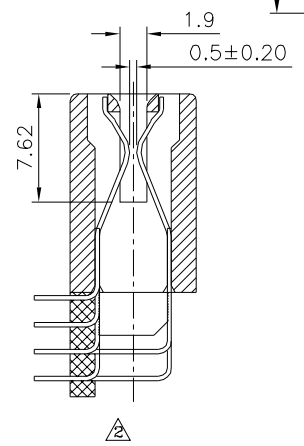
Recommended P.C.B. Layout (Top View)



Daughter Card Layout



80 Pin



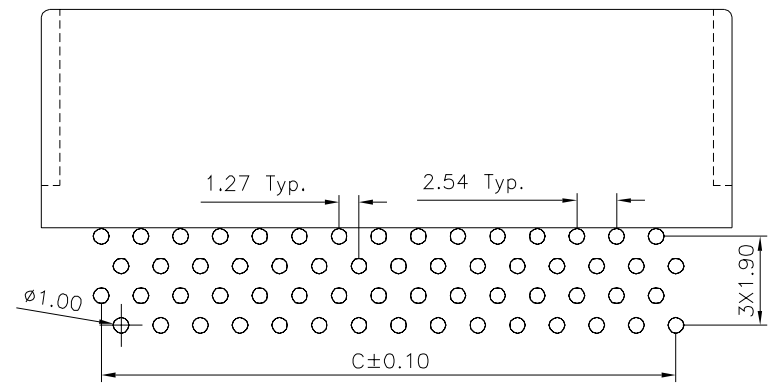
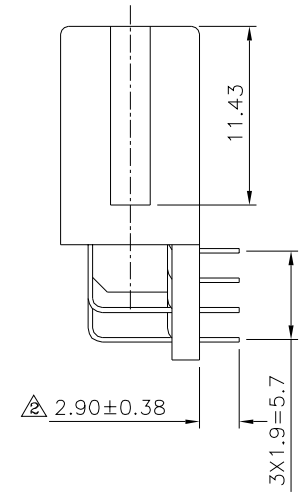
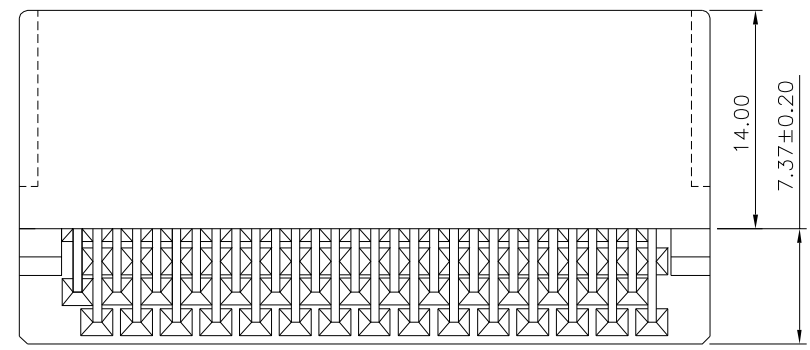
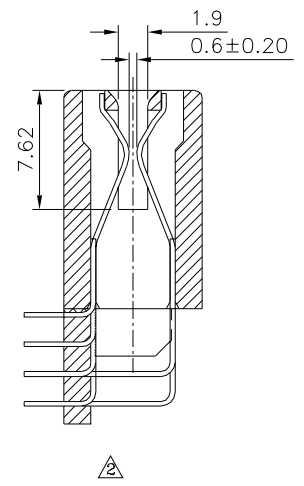
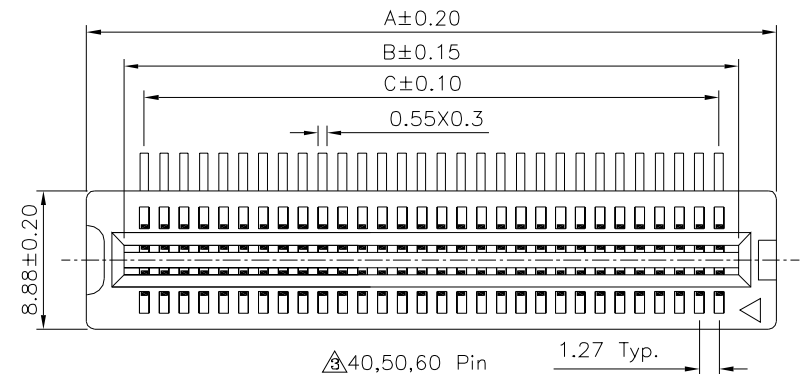
4UCON 元化興業股份有限公司
4UCON TECHNOLOGY INC.

DRAWING No. 11067
SCALE NONE

APPROVED BY MEI
CHECKED BY HZF
DRAWING BY CYP
REV. B4

UNLESS OTHERWISE SPECIFIED TOLERANCES ARE
0~10 ±0.20
10~30 ±0.30
30~100 ±0.40
100~300 ±0.50
ANG. ±0.5°
UNIT mm

NO.	REV.	REVISIONS	CHK	DATE
△4	B4	Modify Data	HZF	09/23/2022
△3	B3	Modify Data	HZF	01/30/2019
△2	B2	Modify Data	HZF	01/17/2019
△1	B1	Modify Data	HZF	11/07/2015
△0	B0	NEW RELEASE	HZF	09/08/2014



Pin	A	B	C
40	31.50	26.67	24.13
50	37.85	33.02	30.48
60	44.20	39.37	36.83

Recommended P.C.B. Layout(Top View)

4UCON 元化興業股份有限公司
4UCON TECHNOLOGY INC.

DRAWING No. 11067

APPROVED BY MEI
CHECKED BY HZF
DRAWING BY CYP

UNLESS OTHERWISE SPECIFIED TOLERANCES ARE
.X ±0.20
.X ±0.15
.XX ±0.10
.XXX ±0.05

NO.	REV.	REVISIONS	CHK	DATE
B4		Modify Data	HZF	09/23/2022
B3		Modify Data	HZF	01/30/2019
B2		Modify Data	HZF	01/17/2019
B1		Modify Data	HZF	11/07/2015
B0		NEW RELEASE	HZF	09/08/2014

SCALE NONE REV. B4

UNIT mm

NO. REV. REVISIONS CHK DATE