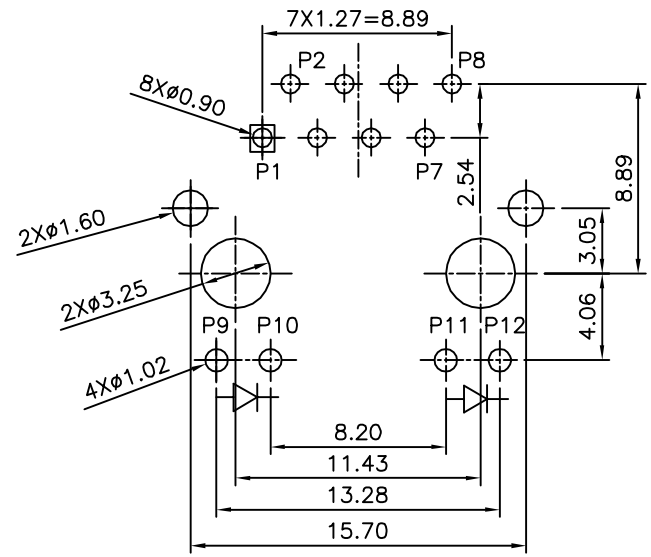
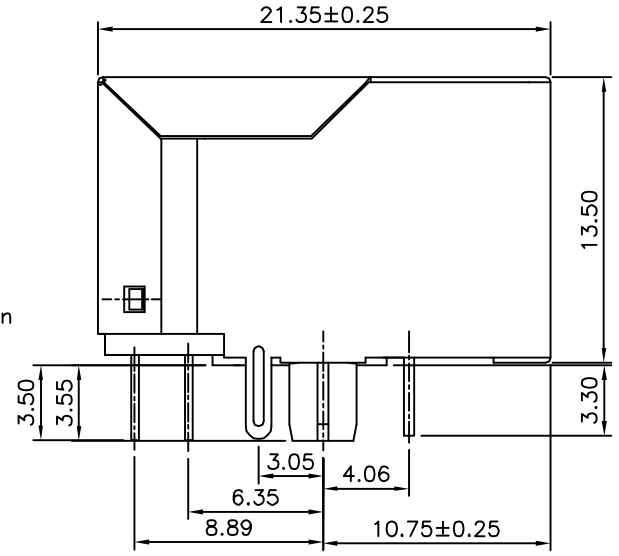
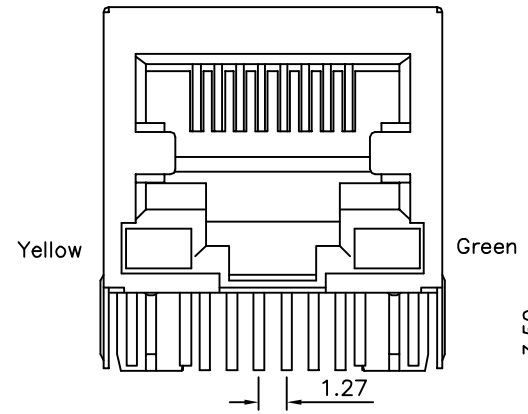
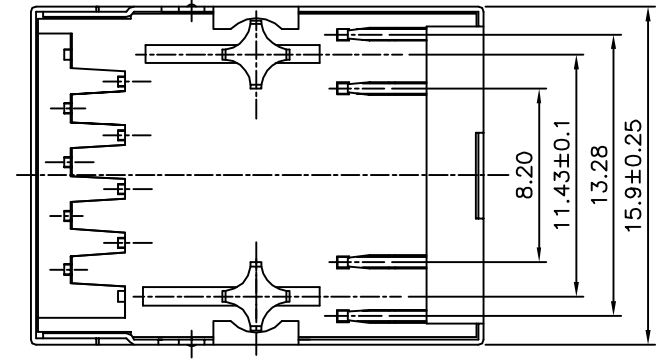


**SPECIFICATION**

Housing:PA66(UL94V-0),Black  
 Inserter:PBT(UL94V-0),Black  
 Contact:Phosphor Bronze  
 Gold Plated 30u" On Contact Area,Tin  
 Plated On Solder Tails,Over Nickel  
 Shield:Brass,Nickel Plated  
 Pin Not Electrically Connected Maybe Omitted See  
 Electrical Drawing For Omitted Pins  
 RJ45 Cavities Conform To FCC Rules And Regulation  
 Part 68.  
 Operating Temperature:-0°C~+70°C  
 Storage Temperature:-40°C~+85°C  
 RoHS Compliant



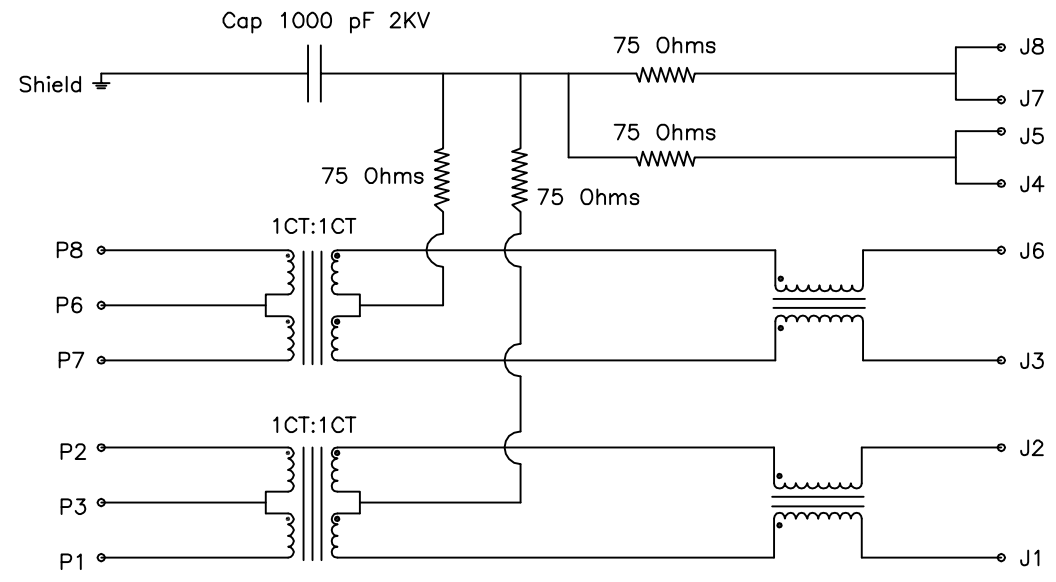
Recommended P.C.B Layout(Component Side View)  
 (PCB Board Tolerance±0.10)



**4UCON** 元化興業股份有限公司  
 4UCON TECHNOLOGY INC.

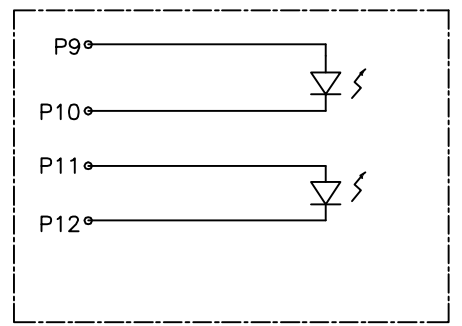
DRAWING No.		APPROVED BY		UNLESS OTHERWISE SPECIFIED TOLERANCES ARE .X ±0.254 .XX ±0.254 ANG.
11092		EMILY		
		CHECKED BY HZF		
		DRAWING BY HAO		
SCALE	NONE	REV.	AO	UNIT mm

NO.	REV.	REVISIONS	CHK	DATE
△ A0		NEW RELEASE	HZF	02/25/2015



**ELECTRONICAL SPECIFICATION**

- 1.0 Turn Ratio @100 KHz:(P1~P2):(J1~J2):1:1±5%  
(P7~P8):(J3~J6):1:1±5%
  - 2.0 Primary Inductance:350uH Min. @100 KHz,0.1V 8mA DC Bias
  - 3.0 DC Resistance:(J1~J2):(J3~J6) 1.2 Ohms Max.
  - 4.0 Insertion Loss:1~100 MHz:-1.2dB Max.
  - 5.0 Return Loss:1~30 MHz:-16dB Min.  
30~60 MHz:-12dB Min.  
60~80 MHz:-10dB Min.
  - 6.0 Cross Talk:1~100 MHz:-30dB Min.
  - 7.0 Common To Common Mode Attenuation:1~100 MHz -30dB Min.
  - 8.0 Isolation:PHY Side To Line Side:1500V AC Or 2250V DC
- RoHS Compliant



**LED Color Option**

Left LED Single Color Right LED Single Color	Left LED Single Color Right LED Dual Color	Left LED Dual Color Right LED Single Color	Left LED Dual Color Right LED Dual Color
P9 P10	P9 P10	P9 P10	P9 P10
P11 P12	P11 P12	P11 P12	P11 P12

\*F:Forward ; R:Reverse

**4UCON** 元化興業股份有限公司  
4UCON TECHNOLOGY INC.

DRAWING No.		APPROVED BY		UNLESS OTHERWISE SPECIFIED TOLERANCES ARE .X ±0.38 .XX ±0.25 ANG.
11092		EMILY		
		CHECKED BY		
		HZF		
		DRAWING BY		
		HAO		
SCALE	NONE	REV.	A0	UNIT mm

NO.	REV.	DESCRIPTION	CHK	DATE
△ A0		NEW RELEASE	HZF	02/25/2015
		REVISIONS		