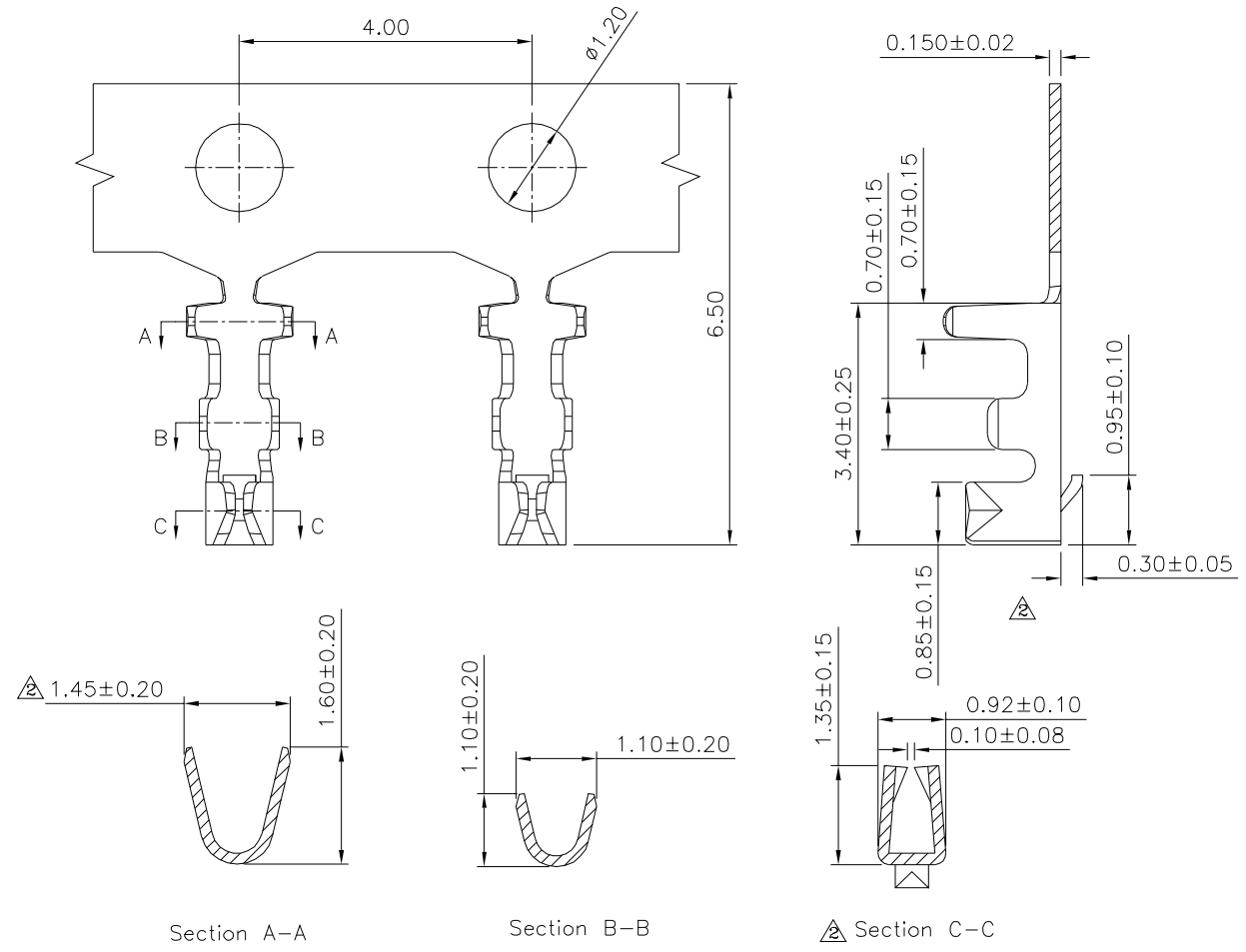


SPECIFICATION
 Current Rating:1.0A AC/DC
 Voltage Rating:125V AC/DC
 Withstanding Voltage:250V AC/Minute
 Insulation Resistance:100 Megaohms Min.
 Contact Resistance:20 Milliohms Max.
 Temperature Range:-25°C~+85°C
 Applicable Wire:AWG#28~#32
 Material:Phosphor Bronze,Tin Plated
 Q'ty:15000 PCS/Reel
 RoHS Compliant



4UCON 元化興業股份有限公司
 4UCON TECHNOLOGY INC.

DRAWING No. 1
 11093

APPROVED BY MEI
 CHECKED BY HZF
 DRAWING BY CYP

SCALE NONE

REV. A2

UNLESS OTHERWISE SPECIFIED TOLERANCES ARE
 X. ±0.30
 .X ±0.25
 .XX ±0.20
 .XXX ±0.05
 ANG. ±1°
 UNIT mm

NO.	REV.	REVISIONS	CHK	DATE
	A2	Modify Data	HZF	01/05/2019
	A1	Modify Data	HZF	12/26/2018
	A0	NEW RELEASE	HZF	12/30/2015