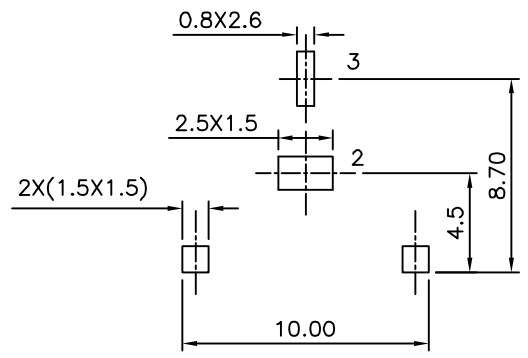
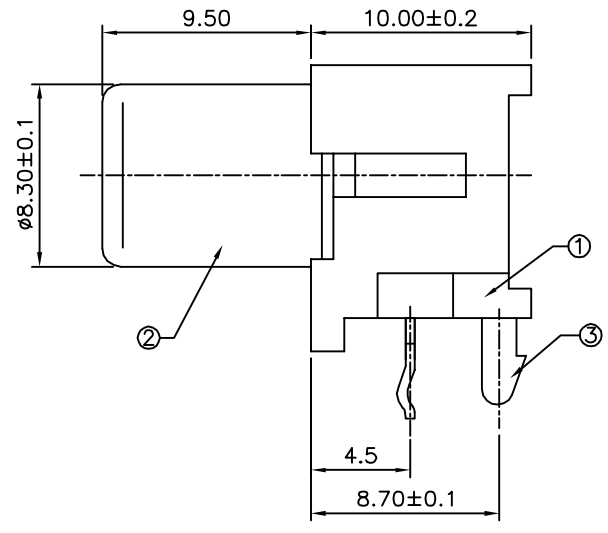
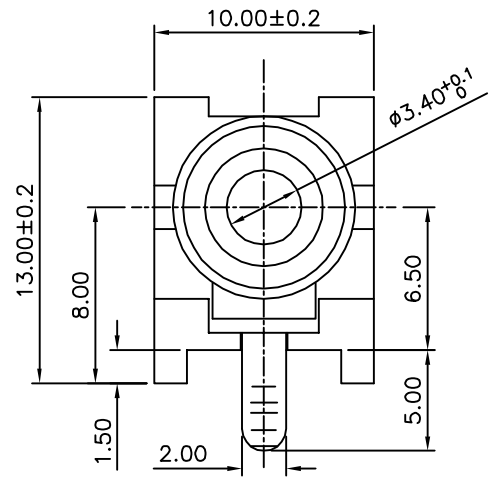
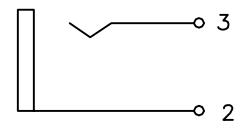


11260:Insulator Color White
 11100:Insulator Color Yellow



Recommended P.C.B. Layout



Schematic

RoHS Compliant

③	Terminal	Brass	1	CuSn Plated
②	Socket	Brass	1	CuSn Plated
①	Insulator	PBT	1	
No.	Name	Material	Q'ty	Remark

4UCON 元化興業股份有限公司
 4UCON TECHNOLOGY INC.

DRAWING No.		APPROVED BY		UNLESS OTHERWISE SPECIFIED TOLERANCES ARE 3~3 ±0.1 3~6 ±0.15 6~15 ±0.2 15~50 ±0.25 >50 ±0.3
11100		EMILY		
		CHECKED BY HZF		
		DRAWING BY SAN		
SCALE	NONE	REV.	A2	UNIT mm

NO.	REV.	REVISIONS	CHK	DATE
①	A2	Modify Data	HZF	06/06/2014
①	A1	Modify Data	HZF	11/16/2013
①	A0	NEW RELEASE	HZF	04/24/2008