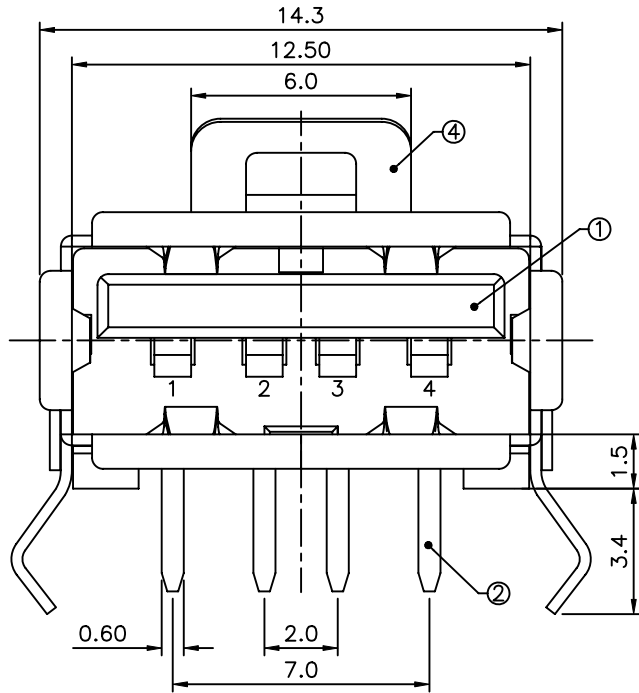
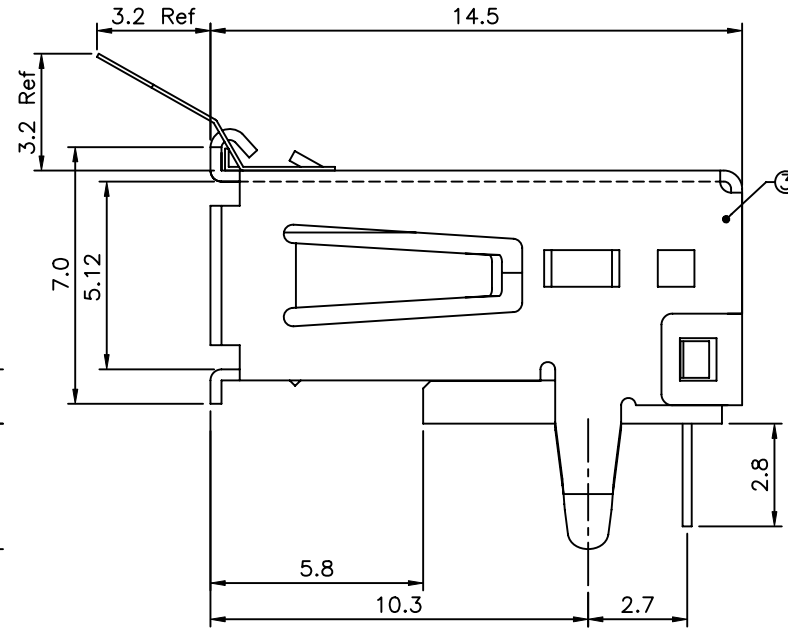


△ SPECIFICATION

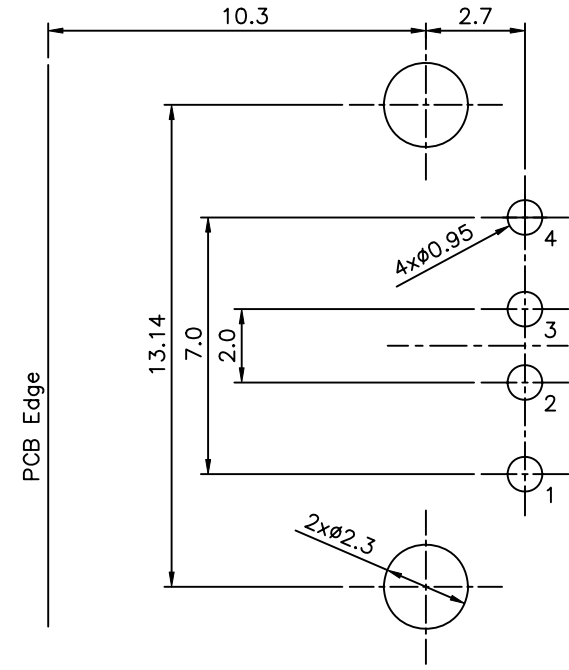
Rated Voltage And Current:1.5A At 250V AC Min.
 Withstand Voltage:750V AC RMS For 1 Minute(Rev. 1.1)
 Contact Resistance:30 Milliohms Max.
 Insulation Resistance:1000 Megaohms Min. At 500V DC
 Insertion Force:35N Max.
 Extraction Force:10N Min.
 Durability:1500 Cycles
 RoHS Compliant



△



△



△ Recommended P.C.B. Layout(Bottom View)

△ No.	Description	Q'ty	Material	Remark
①	Housing	1	PBT+G.F.	White
②	Terminal	4	Phosphor Bronze	Gold Plated On Contact Area, Tin Plated On Solder Tail, Under Nickel
③	Shell	1	Brass	Nickel Plated
④	Spring Shield	1	Stainless	

4UCON 元化興業股份有限公司
 4UCON TECHNOLOGY INC.

DRAWING No.

11519

APPROVED BY

MEI

CHECKED BY

HZF

DRAWING BY

WZL

UNLESS OTHERWISE SPECIFIED TOLERANCES ARE

△ X. ±0.38
 .X ±0.25
 .XX ±0.13
 .XXX ±0.05

SCALE

NONE

REV.

A1

UNIT



△ A1

Modify Data

HZF

01/03/2011

△ A0

NEW RELEASE

NO. REV.

REVISIONS

CHK

DATE